

Fibox MNX

MNX enclosures pioneered using 2 component molding technology for electrical enclosures. These enclosures are designed to house and protect electrical and electronic components in hostile environments. The MNX range now exceeds over 260 variations.



MNX



Wide selection - More than 260 versions



Recess area for membranes



RoHS compliant and halogen-free

Polycarbonate enclosure

Please ask for Fibox mounting and machining service for terminal blocks and cable glands.

VERSATILE COVERS

Gray opaque or smoked transparent polycarbonate covers provide a stylish finish to any installed equipment. Tooling may be cost effectively changed to customize covers for volume OEM applications.

FIBOX MNX PCM

Enclosure features metric knock-outs molded in place for easy wiring.

SWING PANEL

FUNCTIONAL COVER SCREWS

The enclosure is supplied with corrosion free plastic cover screws. An optional wing head screw can be snapped in place for opening without tools. Gray covers are supplied with gray screws. Smoked transparent covers are supplied with black screws.

HINGED INNER PANEL

For instrumentation mounting, aluminum inner panels can be hinged right or left. Unique brackets allow mounting in either base or cover. The brackets permit mounting at variable depths.

RUGGED HINGE

An optional corrosion free hinge is available. Mounted on the outside, attaching hardware is hidden by decorative covers.

MEMBRANE KEYBOARD RECESS

The cover features a slightly recessed area ideal for overlays and membrane key pads. Special cover available for sizes 150 and 175.



MNX PC 95L

3.9 x 3.9

UL Type 1, 4, 4X and 6

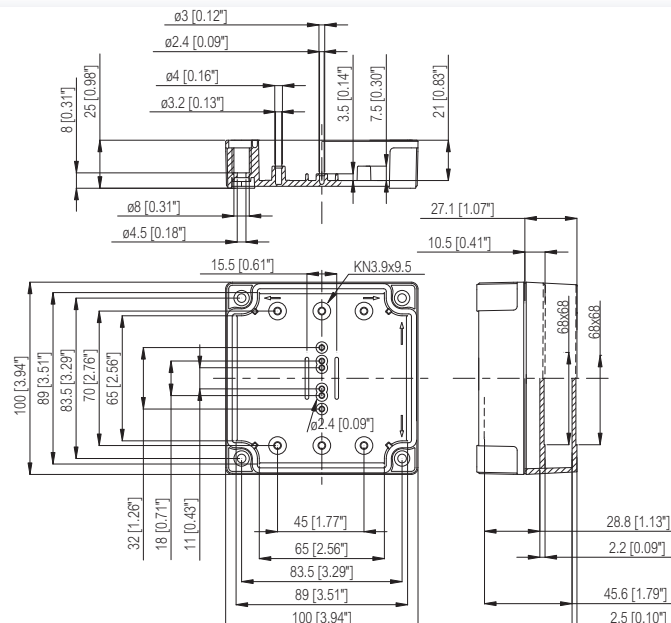
Including: Base with PUR gasket, cover with polyamide cover screws, and hardware screws for accessory mounting.

Enclosures

Order symbol	UL Order symbol	Dimensions inch	Dimensions mm	Description
PC 95/35 LG	UL PC 95/35 LG	3.9 x 3.9 x 1.4	100 x 100 x 35	Enclosure, PC • Opaque cover
PC 95/50 LG	UL PC 95/50 LG	3.9 x 3.9 x 2	100 x 100 x 50	Enclosure, PC • Opaque cover
PC 95/35 LT	UL PC 95/35 LT	3.9 x 3.9 x 1.4	100 x 100 x 35	Enclosure, PC • Smoked transparent cover
PC 95/50 LT	UL PC 95/50 LT	3.9 x 3.9 x 2	100 x 100 x 50	Enclosure, PC • Smoked transparent cover

Accessories

Order symbol	Dimensions inch	Dimensions mm	Description
MIV 95	2.6 x 3.1	66 x 80	Back Panel (Galvanized steel)
B-3	1.4 x 3.1	35 x 80	DIN-35 Mounting rail
FP 22046			Mounting foot kit (4 pcs) • incl. screws



MNX PC 95H

3.9 x 3.9

UL Type 1, 4, 4X and 6



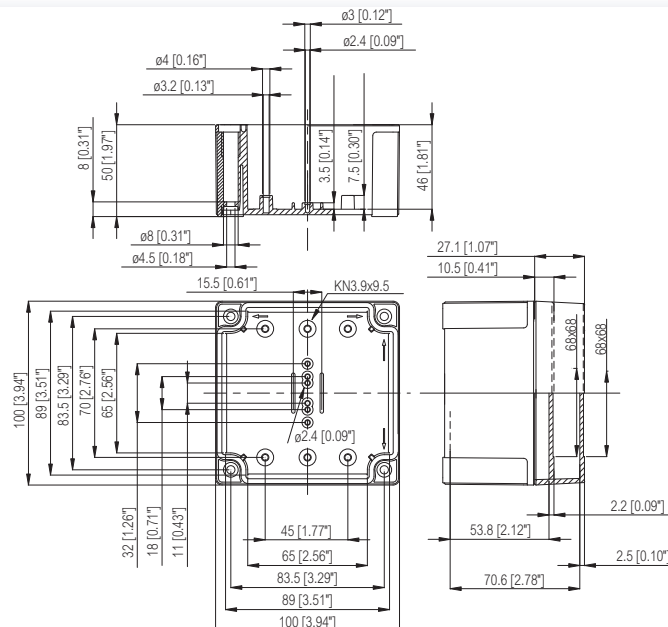
Including: Base with PUR gasket, cover with polyamide cover screws, and hardware screws for accessory mounting.

Enclosures

Order symbol	UL Order symbol	Dimensions inch	Dimensions mm	Description
PC 95/60 HG	UL PC 95/60 HG	3.9 x 3.9 x 2.4	100 x 100 x 60	Enclosure, PC ▪ Opaque cover
PC 95/75 HG	UL PC 95/75 HG	3.9 x 3.9 x 3	100 x 100 x 75	Enclosure, PC ▪ Opaque cover
PC 95/60 HT	UL PC 95/60 HT	3.9 x 3.9 x 2.4	100 x 100 x 60	Enclosure, PC ▪ Smoked transparent cover
PC 95/75 HT	UL PC 95/75 HT	3.9 x 3.9 x 3	100 x 100 x 75	Enclosure, PC ▪ Smoked transparent cover

Accessories

Order symbol	Dimensions inch	Dimensions mm	Description
MIV 95	2.6 x 3.1	66 x 80	Back Panel (Galvanized steel)
B-3	1.4 x 3.1	35 x 80	DIN-35 Mounting rail
FP 22046			Mounting foot kit (4 pcs) ▪ incl. screws





MNX PC 100L

5.1 x 3.1

UL Type 1, 4, 4X and 6

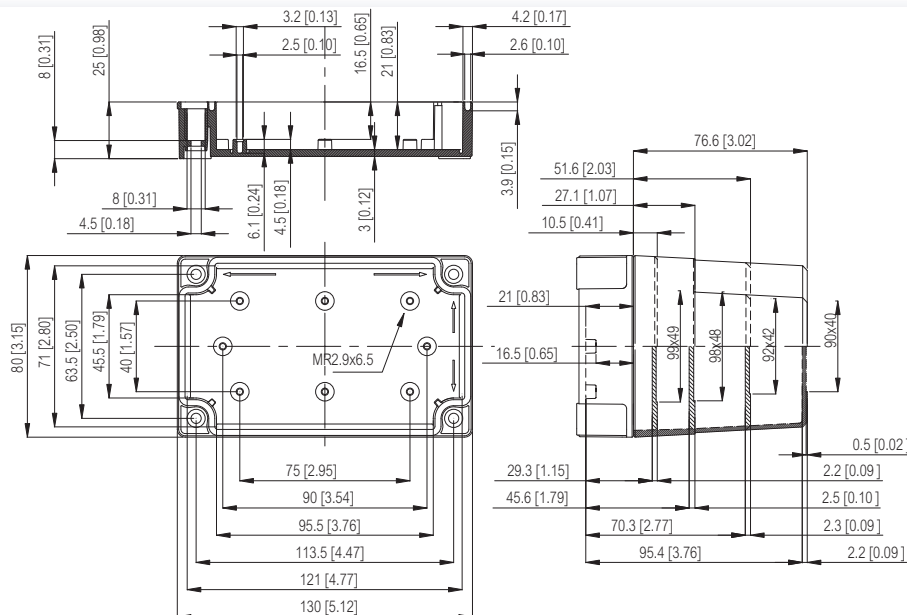
Including: Base with TPE gasket, cover with polyamide cover screws, and hardware screws for accessory mounting.

Enclosures

Order symbol	UL Order symbol	Dimensions inch	Dimensions mm	Description
PC 100/35 LG	UL PC 100/35 LG	5.1 x 3.1 x 1.4	130 x 80 x 35	Enclosure, PC • Opaque cover
PC 100/50 LG	UL PC 100/50 LG	5.1 x 3.1 x 2	130 x 80 x 50	Enclosure, PC • Opaque cover
PC 100/75 LG	UL PC 100/75 LG	5.1 x 3.1 x 3	130 x 80 x 75	Enclosure, PC • Opaque cover
PC 100/100 LG	UL PC 100/100 LG	5.1 x 3.1 x 3.9	130 x 80 x 100	Enclosure, PC • Opaque cover
PC 100/35 LT	UL PC 100/35 LT	5.1 x 3.1 x 1.4	130 x 80 x 35	Enclosure, PC • Smoked transparent cover
PC 100/50 LT	UL PC 100/50 LT	5.1 x 3.1 x 2	130 x 80 x 50	Enclosure, PC • Smoked transparent cover
PC 100/75 LT	UL PC 100/75 LT	5.1 x 3.1 x 3	130 x 80 x 75	Enclosure, PC • Smoked transparent cover
PC 100/100 LT	UL PC 100/100 LT	5.1 x 3.1 x 3.9	130 x 80 x 100	Enclosure, PC • Smoked transparent cover

Accessories

Order symbol	Dimensions inch	Dimensions mm	Description
MIV 100	3.9 x 1.9	98 x 48	Back Panel (Galvanized steel)
MIV 5	1.4 x 2	35 x 50	DIN-35 Mounting rail
MIV 10	1.4 x 3.9	35 x 100	DIN-35 Mounting rail
FP A 100/130	4.7 x 2.4	120 x 62	Front panel (Aluminum)
HFP 130			Front panel hinge series for FP A 100-125 • (2 pcs) incl. screws
FP 22046			Mounting foot kit (4 pcs) • incl. screws



MNX PC 100H

5.1 x 3.1

UL Type 1, 4, 4X and 6

Including: Base with TPE gasket, cover with polyamide cover screws, and hardware screws for accessory mounting.

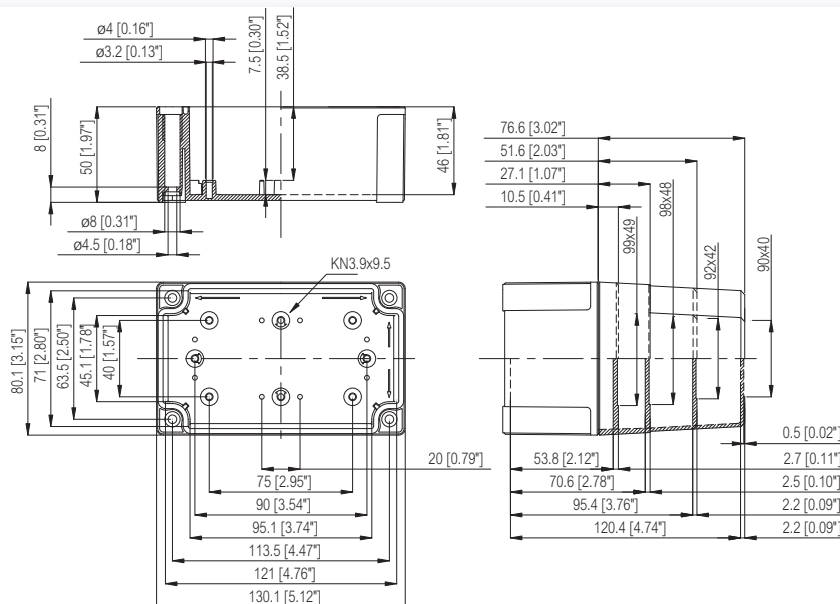


Enclosures

Order symbol	UL Order symbol	Dimensions inch	Dimensions mm	Description
PC 100/60 HG	UL PC 100/60 HG	5.1 x 3.1 x 2.4	130 x 80 x 60	Enclosure, PC ▪ Opaque cover
PC 100/75 HG	UL PC 100/75 HG	5.1 x 3.1 x 3	130 x 80 x 75	Enclosure, PC ▪ Opaque cover
PC 100/100 HG	UL PC 100/100 HG	5.1 x 3.1 x 3.9	130 x 80 x 100	Enclosure, PC ▪ Opaque cover
PC 100/125 HG	UL PC 100/125 HG	5.1 x 3.1 x 4.9	130 x 80 x 125	Enclosure, PC ▪ Opaque cover
PC 100/60 HT	UL PC 100/60 HT	5.1 x 3.1 x 2.4	130 x 80 x 60	Enclosure, PC ▪ Smoked transparent cover
PC 100/75 HT	UL PC 100/75 HT	5.1 x 3.1 x 3	130 x 80 x 75	Enclosure, PC ▪ Smoked transparent cover
PC 100/100 HT	UL PC 100/100 HT	5.1 x 3.1 x 3.9	130 x 80 x 100	Enclosure, PC ▪ Smoked transparent cover
PC 100/125 HT	UL PC 100/125 HT	5.1 x 3.1 x 4.9	130 x 80 x 125	Enclosure, PC ▪ Smoked transparent cover

Accessories

Order symbol	Dimensions inch	Dimensions mm	Description
MIV 100	3.9 x 1.9	98 x 48	Back Panel (Galvanized steel)
MIV 5	1.4 x 2	35 x 50	DIN-35 Mounting rail
MIV 10	1.4 x 3.9	35 x 100	DIN-35 Mounting rail
FP A 100/130	4.7 x 2.4	120 x 62	Front panel (Aluminum)
HFP 130			Front panel hinge series for FP A 100-125 ▪ (2 pcs) incl. screws
FP 22046			Mounting foot kit (4 pcs) ▪ incl. screws





MNX PC 125L

5.1 x 5.1

UL Type 1, 4, 4X and 6

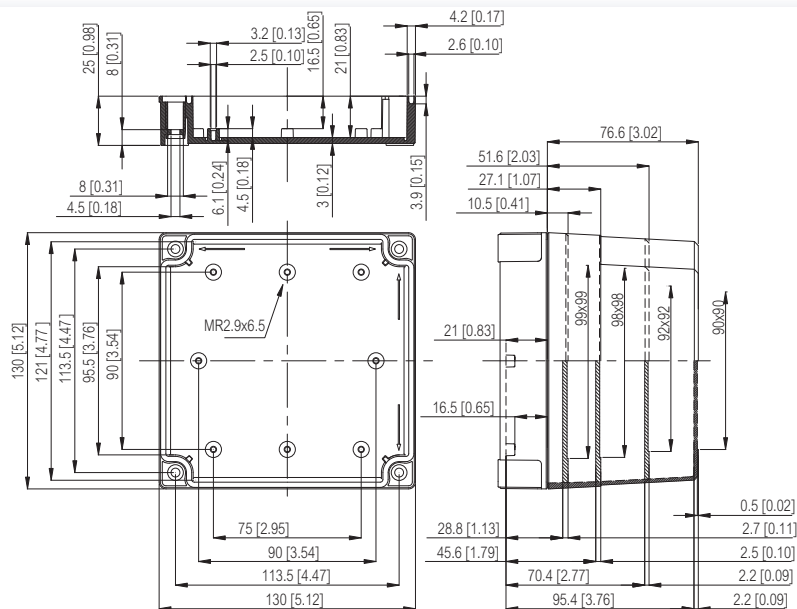
Including: Base with TPE gasket, cover with polyamide cover screws, and hardware screws for accessory mounting.

Enclosures

Order symbol	UL Order symbol	Dimensions inch	Dimensions mm	Description
PC 125/35 LG	UL PC 125/35 LG	5.1 x 5.1 x 1.4	130 x 130 x 35	Enclosure, PC • Opaque cover
PC 125/50 LG	UL PC 125/50 LG	5.1 x 5.1 x 2	130 x 130 x 50	Enclosure, PC • Opaque cover
PC 125/75 LG	UL PC 125/75 LG	5.1 x 5.1 x 3	130 x 130 x 75	Enclosure, PC • Opaque cover
PC 125/100 LG	UL PC 125/100 LG	5.1 x 5.1 x 3.9	130 x 130 x 100	Enclosure, PC • Opaque cover
PC 125/35 LT	UL PC 125/35 LT	5.1 x 5.1 x 1.4	130 x 130 x 35	Enclosure, PC • Smoked transparent cover
PC 125/50 LT	UL PC 125/50 LT	5.1 x 5.1 x 2	130 x 130 x 50	Enclosure, PC • Smoked transparent cover
PC 125/75 LT	UL PC 125/75 LT	5.1 x 5.1 x 3	130 x 130 x 75	Enclosure, PC • Smoked transparent cover
PC 125/100 LT	UL PC 125/100 LT	5.1 x 5.1 x 3.9	130 x 130 x 100	Enclosure, PC • Smoked transparent cover

Accessories

Order symbol	Dimensions inch	Dimensions mm	Description
MIV 125	3.9 x 3.9	98 x 98	Back Panel (Galvanized steel)
MIV 10	1.4 x 3.9	35 x 100	DIN-35 Mounting rail
FP A 125/130	4.7 x 4.4	120 x 112	Front panel (Aluminum)
HFP 130			Front panel hinge series for FP A 100-125 • (2 pcs) incl. screws
FP 22046			Mounting foot kit (4 pcs) • incl. screws



MNX PC 125H

5.1 x 5.1

UL Type 1, 4, 4X and 6

Including: Base with TPE gasket, cover with polyamide cover screws, and hardware screws for accessory mounting.

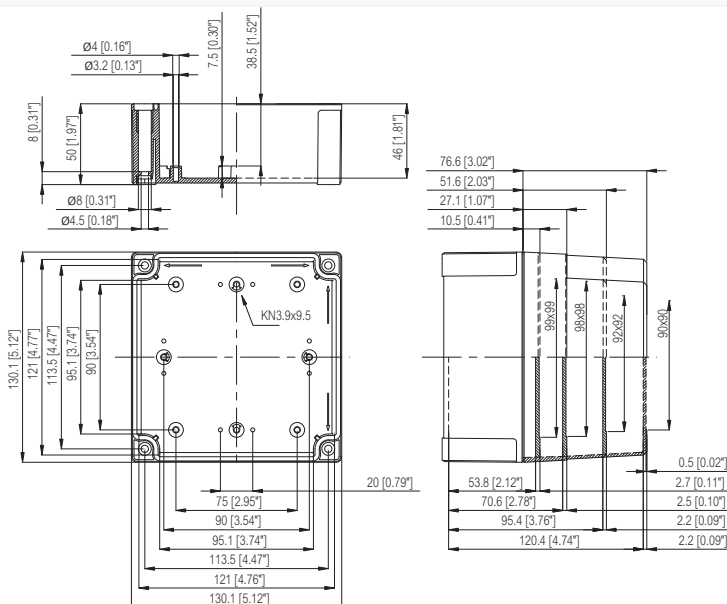


Enclosures

Order symbol	UL Order symbol	Dimensions inch	Dimensions mm	Description
PC 125/60 HG	UL PC 125/60 HG	5.1 x 5.1 x 2.4	130 x 130 x 60	Enclosure, PC ▪ Opaque cover
PC 125/75 HG	UL PC 125/75 HG	5.1 x 5.1 x 3	130 x 130 x 75	Enclosure, PC ▪ Opaque cover
PC 125/100 HG	UL PC 125/100 HG	5.1 x 5.1 x 3.9	130 x 130 x 100	Enclosure, PC ▪ Opaque cover
PC 125/125 HG	UL PC 125/125 HG	5.1 x 5.1 x 4.9	130 x 130 x 125	Enclosure, PC ▪ Opaque cover
PC 125/60 HT	UL PC 125/60 HT	5.1 x 5.1 x 2.4	130 x 130 x 60	Enclosure, PC ▪ Smoked transparent cover
PC 125/75 HT	UL PC 125/75 HT	5.1 x 5.1 x 3	130 x 130 x 75	Enclosure, PC ▪ Smoked transparent cover
PC 125/100 HT	UL PC 125/100 HT	5.1 x 5.1 x 3.9	130 x 130 x 100	Enclosure, PC ▪ Smoked transparent cover
PC 125/125 HT	UL PC 125/125 HT	5.1 x 5.1 x 4.9	130 x 130 x 125	Enclosure, PC ▪ Smoked transparent cover

Accessories

Order symbol	Dimensions inch	Dimensions mm	Description
MIV 125	3.9 x 3.9	98 x 98	Back Panel (Galvanized steel)
MIV 10	1.4 x 3.9	35 x 100	DIN-35 Mounting rail
FP A 125/130	4.7 x 4.4	120 x 112	Front panel (Aluminum)
HFP 130			Front panel hinge series for FP A 100-125 ▪ (2 pcs) incl. screws
FP 22046			Mounting foot kit (4 pcs) ▪ incl. screws





MNX PC 150L

7.1 x 5.1

UL Type 1, 4, 4X and 6

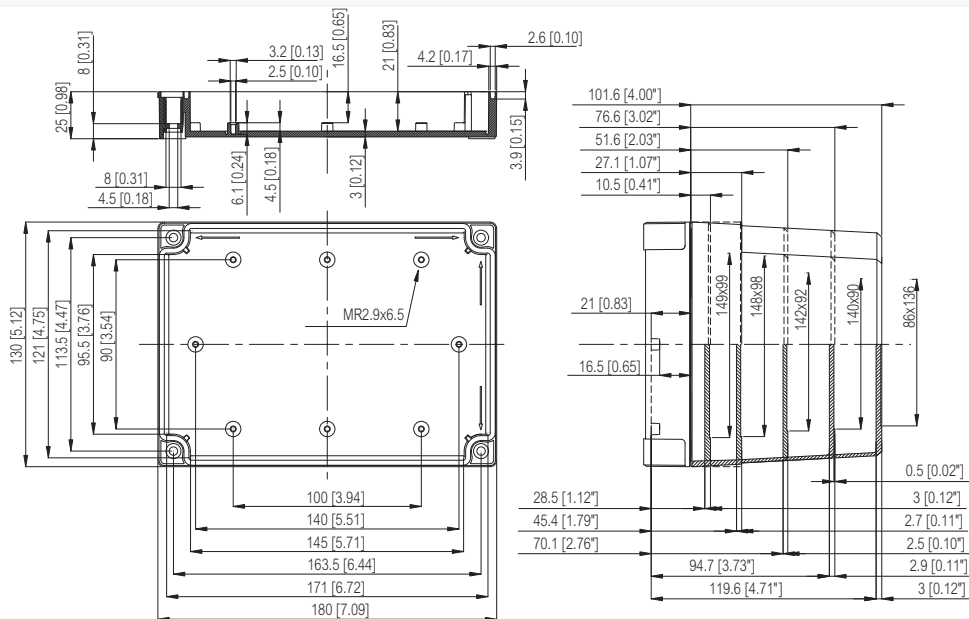
Including: Base with TPE gasket, cover with polyamide cover screws, and hardware screws for accessory mounting.

Enclosures

Order symbol	UL Order symbol	Dimensions inch	Dimensions mm	Description
PC 150/35 LG	UL PC 150/35 LG	7.1 x 5.1 x 1.4	180 x 130 x 35	Enclosure, PC • Opaque cover
PC 150/50 LG	UL PC 150/50 LG	7.1 x 5.1 x 2	180 x 130 x 50	Enclosure, PC • Opaque cover
PC 150/75 LG	UL PC 150/75 LG	7.1 x 5.1 x 3	180 x 130 x 75	Enclosure, PC • Opaque cover
PC 150/100 LG	UL PC 150/100 LG	7.1 x 5.1 x 3.9	180 x 130 x 100	Enclosure, PC • Opaque cover
PC 150/125 LG	UL PC 150/125 LG	7.1 x 5.1 x 4.9	180 x 130 x 125	Enclosure, PC • Opaque cover
PC 150/35 LT	UL PC 150/35 LT	7.1 x 5.1 x 1.4	180 x 130 x 35	Enclosure, PC • Smoked transparent cover
PC 150/50 LT	UL PC 150/50 LT	7.1 x 5.1 x 2	180 x 130 x 50	Enclosure, PC • Smoked transparent cover
PC 150/75 LT	UL PC 150/75 LT	7.1 x 5.1 x 3	180 x 130 x 75	Enclosure, PC • Smoked transparent cover
PC 150/100 LT	UL PC 150/100 LT	7.1 x 5.1 x 3.9	180 x 130 x 100	Enclosure, PC • Smoked transparent cover
PC 150/125 LT	UL PC 150/125 LT	7.1 x 5.1 x 4.9	180 x 130 x 125	Enclosure, PC • Smoked transparent cover

Accessories

Order symbol	Dimensions inch	Dimensions mm	Description
MIV 150	5.8 x 3.9	148 x 98	Back Panel (Galvanized steel)
MIV 10	1.4 x 3.9	35 x 100	DIN-35 Mounting rail
MIV 15	1.4 x 5.9	35 x 150	DIN-35 Mounting rail
FP A 150/180	6.7 x 4.4	170 x 112	Front panel (Aluminum)
HFP 180			Front panel hinge series for FP A 150-200 • (2 pcs) incl. screws
FP 22046			Mounting foot kit (4 pcs) • incl. screws



MNX PC 150H

7.1 x 5.1

UL Type 1, 4, 4X and 6

Including: Base with TPE gasket, cover with polyamide cover screws, and hardware screws for accessory mounting.

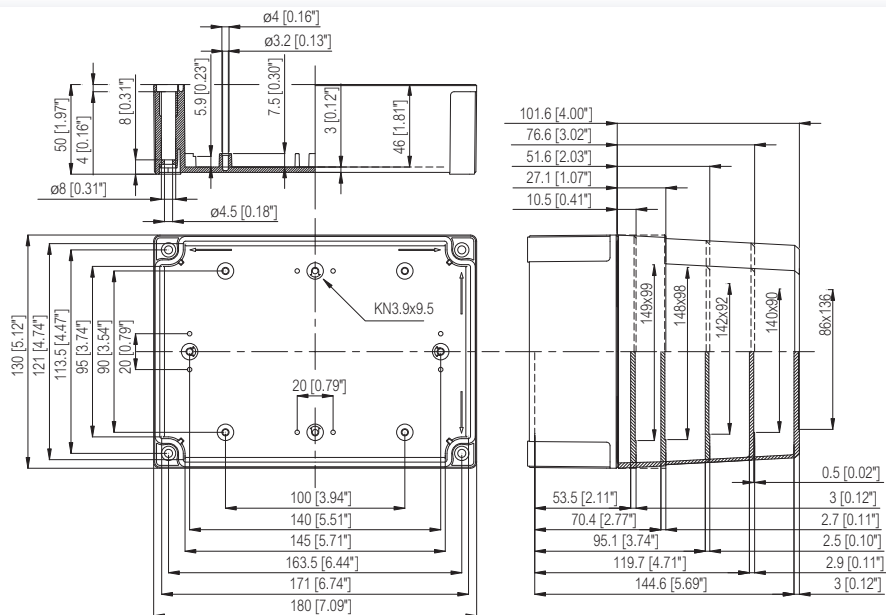


Enclosures

Order symbol	UL Order symbol	Dimensions inch	Dimensions mm	Description
PC 150/60 HG	UL PC 150/60 HG	7.1 x 5.1 x 2.4	180 x 130 x 60	Enclosure, PC ▪ Opaque cover
PC 150/60 HF	UL PC 150/60 HF	7.1 x 5.1 x 2.4	180 x 130 x 60	Enclosure, PC ▪ Opaque membrane cover
PC 150/75 HG	UL PC 150/75 HG	7.1 x 5.1 x 3	180 x 130 x 75	Enclosure, PC ▪ Opaque cover
PC 150/100 HG	UL PC 150/100 HG	7.1 x 5.1 x 3.9	180 x 130 x 100	Enclosure, PC ▪ Opaque cover
PC 150/125 HG	UL PC 150/125 HG	7.1 x 5.1 x 4.9	180 x 130 x 125	Enclosure, PC ▪ Opaque cover
PC 150/150 HG	UL PC 150/150 HG	7.1 x 5.1 x 5.9	180 x 130 x 150	Enclosure, PC ▪ Opaque cover
PC 150/60 HT	UL PC 150/60 HT	7.1 x 5.1 x 2.4	180 x 130 x 60	Enclosure, PC ▪ Smoked transparent cover
PC 150/75 HT	UL PC 150/75 HT	7.1 x 5.1 x 3	180 x 130 x 75	Enclosure, PC ▪ Smoked transparent cover
PC 150/100 HT	UL PC 150/100 HT	7.1 x 5.1 x 3.9	180 x 130 x 100	Enclosure, PC ▪ Smoked transparent cover
PC 150/125 HT	UL PC 150/125 HT	7.1 x 5.1 x 4.9	180 x 130 x 125	Enclosure, PC ▪ Smoked transparent cover
PC 150/150 HT	UL PC 150/150 HT	7.1 x 5.1 x 5.9	180 x 130 x 150	Enclosure, PC ▪ Smoked transparent cover

Accessories

Order symbol	Dimensions inch	Dimensions mm	Description
MIV 150	5.8 x 3.9	148 x 98	Back Panel (Galvanized steel)
MIV 10	1.4 x 3.9	35 x 100	DIN-35 Mounting rail
MIV 15	1.4 x 5.9	35 x 150	DIN-35 Mounting rail
FP A 150/180	6.7 x 4.4	170 x 112	Front panel (Aluminum)
HFP 180			Front panel hinge series for FP A 150-200 ▪ (2 pcs) incl. screws
FP 22046			Mounting foot kit (4 pcs) ▪ incl. screws





MNX PC 150XH

7.1 x 5.1

UL Type 1, 4, 4X and 6

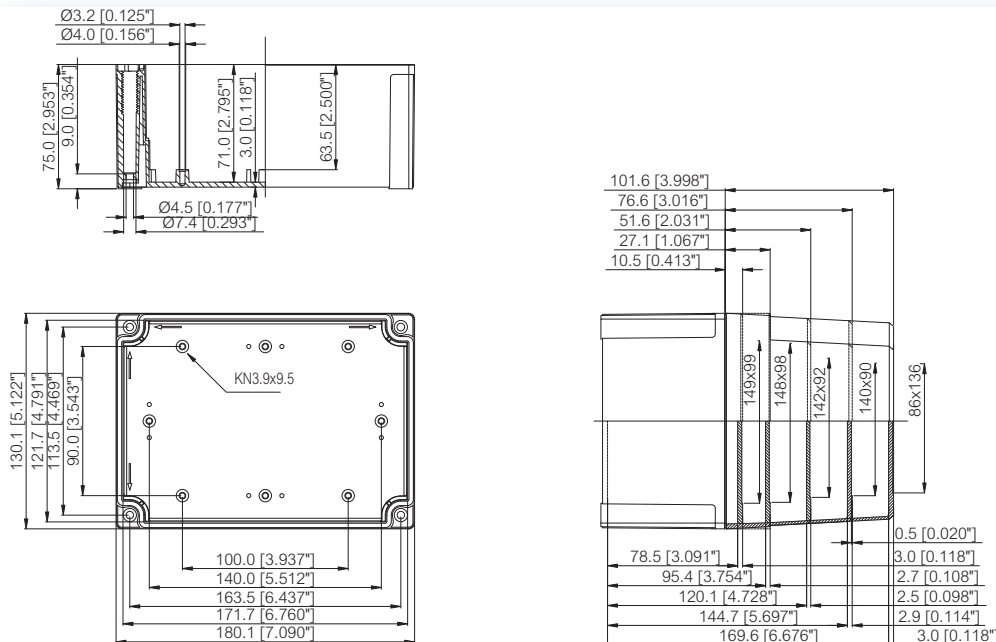
Including: Base with PUR gasket, cover with polyamide cover screws, and hardware screws for accessory mounting.

Enclosures

Order symbol	UL Order symbol	Dimensions inch	Dimensions mm	Description
PC 150/85 XHG	UL PC 150/85 XHG	7.1 x 5.1 x 3.3	180 x 130 x 85	Enclosure, PC • Opaque cover
PC 150/85 XHF	UL PC 150/85 XHF	7.1 x 5.1 x 3.3	180 x 130 x 85	Enclosure, PC • Opaque membrane cover
PC 150/100 XHG	UL PC 150/100 XHG	7.1 x 5.1 x 3.9	180 x 130 x 100	Enclosure, PC • Opaque cover
PC 150/125 XHG	UL PC 150/125 XHG	7.1 x 5.1 x 4.9	180 x 130 x 125	Enclosure, PC • Opaque cover
PC 150/150 XHG	UL PC 150/150 XHG	7.1 x 5.1 x 5.9	180 x 130 x 150	Enclosure, PC • Opaque cover
PC 150/175 XHG	UL PC 150/175 XHG	7.1 x 5.1 x 6.9	180 x 130 x 175	Enclosure, PC • Opaque cover
PC 150/85 XHT	UL PC 150/85 XHT	7.1 x 5.1 x 3.3	180 x 130 x 85	Enclosure, PC • Smoked transparent cover
PC 150/100 XHT	UL PC 150/100 XHT	7.1 x 5.1 x 3.9	180 x 130 x 100	Enclosure, PC • Smoked transparent cover
PC 150/125 XHT	UL PC 150/125 XHT	7.1 x 5.1 x 4.9	180 x 130 x 125	Enclosure, PC • Smoked transparent cover
PC 150/150 XHT	UL PC 150/150 XHT	7.1 x 5.1 x 5.9	180 x 130 x 150	Enclosure, PC • Smoked transparent cover
PC 150/175 XHT	UL PC 150/175 XHT	7.1 x 5.1 x 6.9	180 x 130 x 175	Enclosure, PC • Smoked transparent cover

Accessories

Order symbol	Dimensions inch	Dimensions mm	Description
MIV 150	5.8 x 3.9	148 x 98	Back Panel (Galvanized steel)
MIV 10	1.4 x 3.9	35 x 100	DIN-35 Mounting rail
MIV 15	1.4 x 5.9	35 x 150	DIN-35 Mounting rail
FP A 150/180	6.7 x 4.4	170 x 112	Front panel (Aluminum)
HFP 180			Front panel hinge series for FP A 150-200 • (2 pcs) incl. screws
FP 22046			Mounting foot kit (4 pcs) • incl. screws



MNX PC 175H

7.1 x 7.1

UL Type 1, 4, 4X and 6



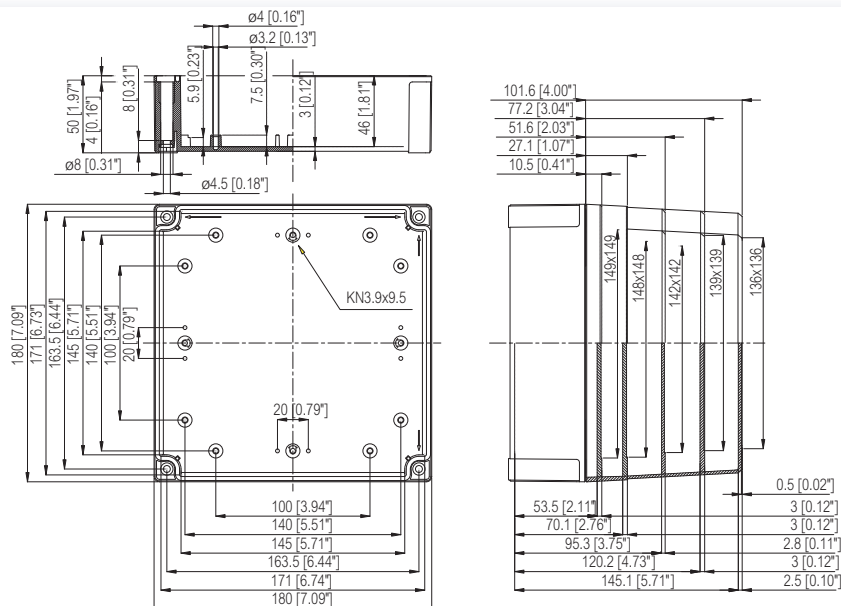
Including: Base with TPE gasket, cover with polyamide cover screws, and hardware screws for accessory mounting.

Enclosures

Order symbol	UL Order symbol	Dimensions inch	Dimensions mm	Description
PC 175/60 HG	UL PC 175/60 HG	7.1 x 7.1 x 2.4	180 x 180 x 60	Enclosure, PC ▪ Opaque cover
PC 175/75 HG	UL PC 175/75 HG	7.1 x 7.1 x 3	180 x 180 x 75	Enclosure, PC ▪ Opaque cover
PC 175/100 HG	UL PC 175/100 HG	7.1 x 7.1 x 3.9	180 x 180 x 100	Enclosure, PC ▪ Opaque cover
PC 175/125 HG	UL PC 175/125 HG	7.1 x 7.1 x 4.9	180 x 180 x 125	Enclosure, PC ▪ Opaque cover
PC 175/150 HG	UL PC 175/150 HG	7.1 x 7.1 x 5.9	180 x 180 x 150	Enclosure, PC ▪ Opaque cover
PC 175/60 HT	UL PC 175/60 HT	7.1 x 7.1 x 2.4	180 x 180 x 60	Enclosure, PC ▪ Smoked transparent cover
PC 175/75 HT	UL PC 175/75 HT	7.1 x 7.1 x 3	180 x 180 x 75	Enclosure, PC ▪ Smoked transparent cover
PC 175/100 HT	UL PC 175/100 HT	7.1 x 7.1 x 3.9	180 x 180 x 100	Enclosure, PC ▪ Smoked transparent cover
PC 175/125 HT	UL PC 175/125 HT	7.1 x 7.1 x 4.9	180 x 180 x 125	Enclosure, PC ▪ Smoked transparent cover
PC 175/150 HT	UL PC 175/150 HT	7.1 x 7.1 x 5.9	180 x 180 x 150	Enclosure, PC ▪ Smoked transparent cover

Accessories

Order symbol	Dimensions inch	Dimensions mm	Description
MIV 175	5.8 x 5.8	148 x 148	Back Panel (Galvanized steel)
MIV 15	1.4 x 5.9	35 x 150	DIN-35 Mounting rail
FP A 175/180	6.7 x 6.4	170 x 162	Front panel (Aluminum)
HFP 180			Front panel hinge series for FP A 150-200 ▪ (2 pcs) incl. screws
FP 22046			Mounting foot kit (4 pcs) ▪ incl. screws





MNX PC 175XH

7.1 x 7.1

UL Type 1, 4, 4X and 6

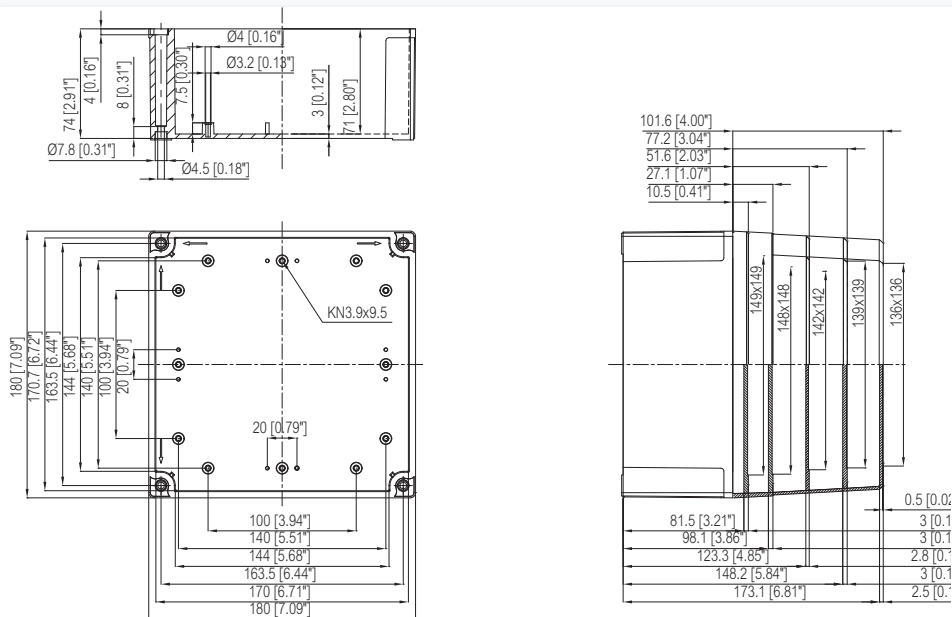
Including: Base with PUR gasket, screws for mounting plate/DIN-rail and cover with polyamide cover screws.

Enclosures

Order symbol	Order symbol UL	Dimensions inch	Dimensions mm	Description
PC 175/85 XHG	UL PC 175/85 XHG	7.1 x 7.1 x 3.3	180 x 180 x 85	Enclosure, PC • Opaque cover
PC 175/100 XHG	UL PC 175/100 XHG	7.1 x 7.1 x 3.9	180 x 180 x 100	Enclosure, PC • Opaque cover
PC 175/125 XHG	UL PC 175/125 XHG	7.1 x 7.1 x 4.9	180 x 180 x 125	Enclosure, PC • Opaque cover
PC 175/150 XHG	UL PC 175/150 XHG	7.1 x 7.1 x 5.9	180 x 180 x 150	Enclosure, PC • Opaque cover
PC 175/175 XHG	UL PC 175/175 XHG	7.1 x 7.1 x 6.9	180 x 180 x 175	Enclosure, PC • Opaque cover
PC 175/85 XHT	UL PC 175/85 XHT	7.1 x 7.1 x 3.3	180 x 180 x 85	Enclosure, PC • Smoked transparent cover
PC 175/100 XHT	UL PC 175/100 XHT	7.1 x 7.1 x 3.9	180 x 180 x 100	Enclosure, PC • Smoked transparent cover
PC 175/125 XHT	UL PC 175/125 XHT	7.1 x 7.1 x 4.9	180 x 180 x 125	Enclosure, PC • Smoked transparent cover
PC 175/150 XHT	UL PC 175/150 XHT	7.1 x 7.1 x 5.9	180 x 180 x 150	Enclosure, PC • Smoked transparent cover
PC 175/175 XHT	UL PC 175/175 XHT	7.1 x 7.1 x 6.9	180 x 180 x 175	Enclosure, PC • Smoked transparent cover

Accessories

Order symbol	Dimensions inch	Dimensions mm	Description
MIV 175	5.8 x 5.8	148 x 148	Back Panel (Galvanized steel)
MIV 15	1.4 x 5.9	35 x 150	DIN-35 Mounting rail
FP A 175/180	6.7 x 6.4	170 x 162	Front panel (Aluminum)
HFP 180			Front panel hinge series for FP A 150-200 • (2 pcs) incl. screws
FP 22046			Mounting foot kit (4 pcs) • incl. screws



MNX PC 200H

10.0 x 7.1

UL Type 1, 4, 4X and 6

Including: Base with TPE gasket, cover with polyamide cover screws, and hardware screws for accessory mounting.

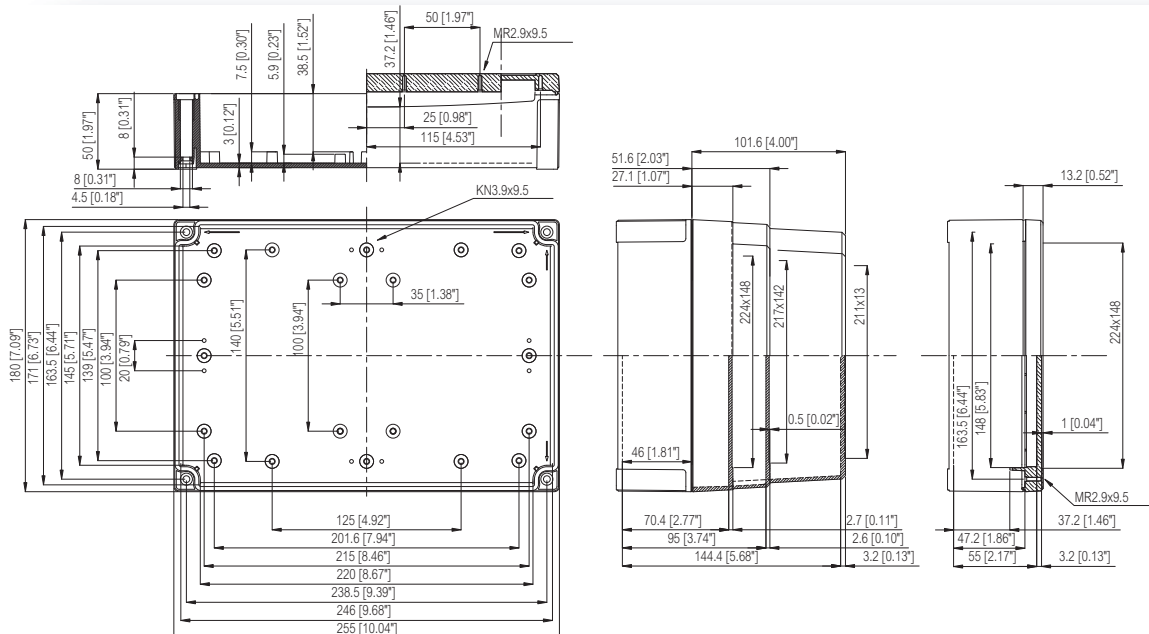


Enclosures

Order symbol	UL Order symbol	Dimensions inch	Dimensions mm	Description
PC 200/63 HG	UL PC 200/63 HG	10 x 7.1 x 2.5	255 x 180 x 63	Enclosure, PC ▪ Opaque cover
PC 200/75 HG	UL PC 200/75 HG	10 x 7.1 x 3	255 x 180 x 75	Enclosure, PC ▪ Opaque cover
PC 200/100 HG	UL PC 200/100 HG	10 x 7.1 x 3.9	255 x 180 x 100	Enclosure, PC ▪ Opaque cover
PC 200/150 HG	UL PC 200/150 HG	10 x 7.1 x 5.9	255 x 180 x 150	Enclosure, PC ▪ Opaque cover
PC 200/63 HT	UL PC 200/63 HT	10 x 7.1 x 2.5	255 x 180 x 63	Enclosure, PC ▪ Smoked transparent cover
PC 200/75 HT	UL PC 200/75 HT	10 x 7.1 x 3	255 x 180 x 75	Enclosure, PC ▪ Smoked transparent cover
PC 200/100 HT	UL PC 200/100 HT	10 x 7.1 x 3.9	255 x 180 x 100	Enclosure, PC ▪ Smoked transparent cover
PC 200/150 HT	UL PC 200/150 HT	10 x 7.1 x 5.9	255 x 180 x 150	Enclosure, PC ▪ Smoked transparent cover

Accessories

Order symbol	Dimensions inch	Dimensions mm	Description
MIV 200	8.8 x 5.8	223 x 148	Back Panel (Galvanized steel)
MIV 15	1.4 x 5.9	35 x 150	DIN-35 Mounting rail
MIV 20	1.4 x 8.9	35 x 225	DIN-35 Mounting rail
FP A 200/180	9.3 x 6.7	237 x 170	Front panel (Aluminum)
HFP 180			Front panel hinge series for FP A 150-200 ▪ (2 pcs) incl. screws
FP 22046			Mounting foot kit (4 pcs) ▪ incl. screws





MNX PC 200XH

10.0 x 7.1

UL Type 1, 4, 4X and 6

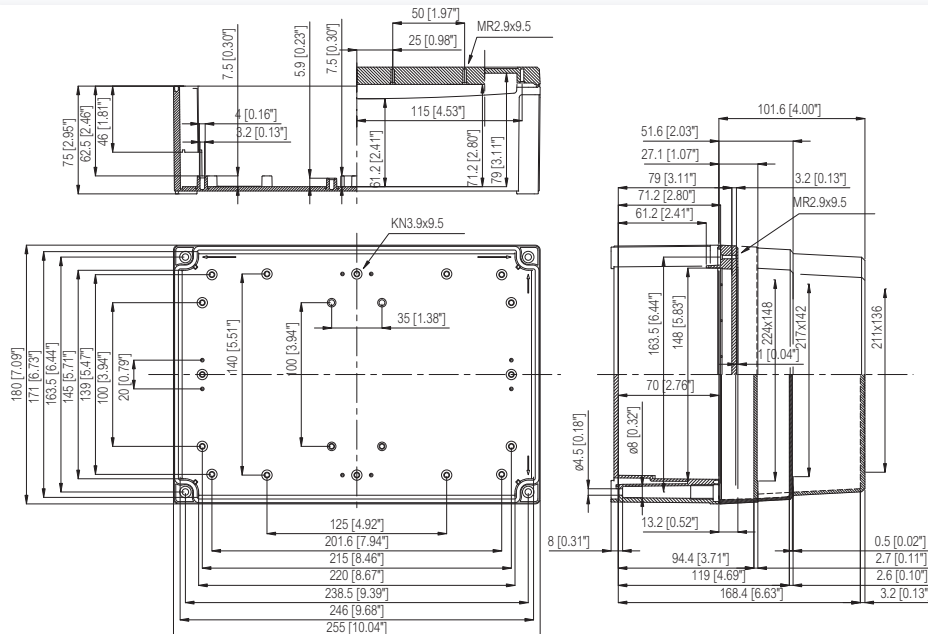
Including: Base with PUR gasket, cover with polyamide cover screws, and hardware screws for accessory mounting.

Enclosures

Order symbol	UL Order symbol	Dimensions inch	Dimensions mm	Description
PC 200/88 XHG	UL PC 200/88 XHG	10 x 7.1 x 3.5	255 x 180 x 88	Enclosure, PC • Opaque cover
PC 200/100 XHG	UL PC 200/100 XHG	10 x 7.1 x 3.9	255 x 180 x 100	Enclosure, PC • Opaque cover
PC 200/125 XHG	UL PC 200/125 XHG	10 x 7.1 x 4.9	255 x 180 x 125	Enclosure, PC • Opaque cover
PC 200/175 XHG	UL PC 200/175 XHG	10 x 7.1 x 6.9	255 x 180 x 175	Enclosure, PC • Opaque cover
PC 200/88 XHT	UL PC 200/88 XHT	10 x 7.1 x 3.5	255 x 180 x 88	Enclosure, PC • Smoked transparent cover
PC 200/100 XHT	UL PC 200/100 XHT	10 x 7.1 x 3.9	255 x 180 x 100	Enclosure, PC • Smoked transparent cover
PC 200/125 XHT	UL PC 200/125 XHT	10 x 7.1 x 4.9	255 x 180 x 125	Enclosure, PC • Smoked transparent cover
PC 200/175 XHT	UL PC 200/175 XHT	10 x 7.1 x 6.9	255 x 180 x 175	Enclosure, PC • Smoked transparent cover

Accessories

Order symbol	Dimensions inch	Dimensions mm	Description
MIV 200	8.8 x 5.8	223 x 148	Back Panel (Galvanized steel)
MIV 15	1.4 x 5.9	35 x 150	DIN-35 Mounting rail
MIV 20	1.4 x 8.9	35 x 225	DIN-35 Mounting rail
FP A 200/180	9.3 x 6.7	237 x 170	Front panel (Aluminum)
HFP 180			Front panel hinge series for FP A 150-200 • (2 pcs) incl. screws
FP 22046			Mounting foot kit (4 pcs) • incl. screws



MNX PC 300Z

14.2 x 10.0

NEMA 1, 4, 4X and 6



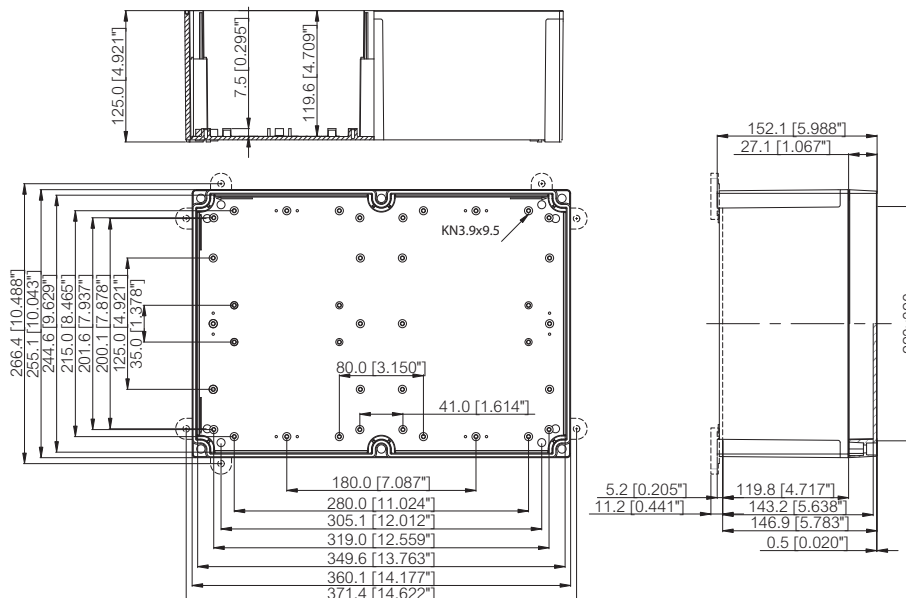
Including: Base with PUR gasket, cover with polyamide cover screws, and hardware screws for accessory mounting.

Enclosures

Order symbol	Dimensions inch	Dimensions mm	Description
PC 300/150 ZG	14.2 x 10 x 6	360 x 255 x 152	Enclosure, PC ▪ Opaque cover
PC 300/150 ZT	14.2 x 10 x 6	360 x 255 x 152	Enclosure, PC ▪ Smoked transparent cover

Accessories

Order symbol	Dimensions inch	Dimensions mm	Description
MIV 300	13 x 8.9	330 x 225	Back Panel (Galvanized steel)
MIV 200	8.8 x 5.8	223 x 148	Back Panel (Galvanized steel)
MIV 150	5.8 x 3.9	148 x 98	Back Panel (Galvanized steel)
MIV 30	1.4 x 13	35 x 329	DIN-35 Mounting rail
MIV 20	1.4 x 8.9	35 x 225	DIN-35 Mounting rail
MIV 15	1.4 x 5.9	35 x 150	DIN-35 Mounting rail
FP 10674			Mounting foot kit (2 pcs) ▪ incl. screws





MNX PCM 95

3.9 x 3.9

UL Type 1, 4, 4X and 6

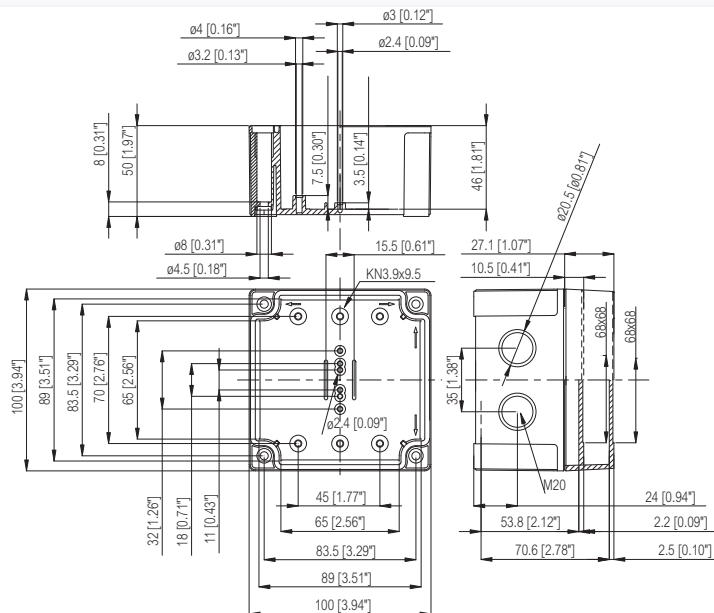
Including: Base with metric knock-outs and PUR gasket, cover with polyamide cover screws, and hardware screws for accessory mounting.

Enclosures

Order symbol	UL Order symbol	Dimensions inch	Dimensions mm	Description
PCM 95/60 G	UL PCM 95/60 G	3.9 x 3.9 x 2.4	100 x 100 x 60	Enclosure, PC ▪ Opaque cover
PCM 95/75 G	UL PCM 95/75 G	3.9 x 3.9 x 3	100 x 100 x 75	Enclosure, PC ▪ Opaque cover
PCM 95/60 T	UL PCM 95/60 T	3.9 x 3.9 x 2.4	100 x 100 x 60	Enclosure, PC ▪ Smoked transparent cover
PCM 95/75 T	UL PCM 95/75 T	3.9 x 3.9 x 3	100 x 100 x 75	Enclosure, PC ▪ Smoked transparent cover

Accessories

Order symbol	Dimensions inch	Dimensions mm	Description
MIV 95	2.6 x 3.1	66 x 80	Back Panel (Galvanized steel)
B-3	1.4 x 3.1	35 x 80	DIN-35 Mounting rail
FP 22046			Mounting foot kit (4 pcs) ▪ incl. screws



MNX PCM 100

5.1 x 3.1

UL Type 1, 4, 4X and 6

Including: Base with metric knock-outs and TPE gasket, cover with polyamide cover screws, and hardware screws for accessory mounting.

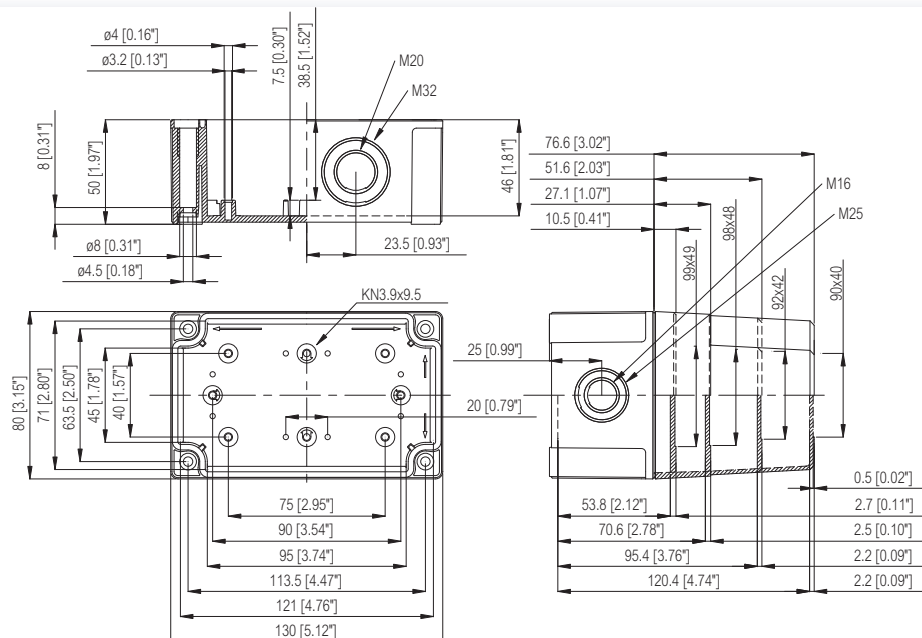


Enclosures

Order symbol	UL Order symbol	Dimensions inch	Dimensions mm	Description
PCM 100/60 G	UL PCM 100/60 G	5.1 x 3.1 x 2.4	130 x 80 x 60	Enclosure, PC ▪ Opaque cover
PCM 100/75 G	UL PCM 100/75 G	5.1 x 3.1 x 3	130 x 80 x 75	Enclosure, PC ▪ Opaque cover
PCM 100/100 G	UL PCM 100/100 G	5.1 x 3.1 x 3.9	130 x 80 x 100	Enclosure, PC ▪ Opaque cover
PCM 100/125 G	UL PCM 100/125 G	5.1 x 3.1 x 4.9	130 x 80 x 125	Enclosure, PC ▪ Opaque cover
PCM 100/60 T	UL PCM 100/60 T	5.1 x 3.1 x 2.4	130 x 80 x 60	Enclosure, PC ▪ Smoked transparent cover
PCM 100/75 T	UL PCM 100/75 T	5.1 x 3.1 x 3	130 x 80 x 75	Enclosure, PC ▪ Smoked transparent cover
PCM 100/100 T	UL PCM 100/100 T	5.1 x 3.1 x 3.9	130 x 80 x 100	Enclosure, PC ▪ Smoked transparent cover
PCM 100/125 T	UL PCM 100/125 T	5.1 x 3.1 x 4.9	130 x 80 x 125	Enclosure, PC ▪ Smoked transparent cover

Accessories

Order symbol	Dimensions inch	Dimensions mm	Description
MIV 100	3.9 x 1.9	98 x 48	Back Panel (Galvanized steel)
MIV 5	1.4 x 2	35 x 50	DIN-35 Mounting rail
MIV 10	1.4 x 3.9	35 x 100	DIN-35 Mounting rail
FP A 100/130	4.7 x 2.4	120 x 62	Front panel (Aluminum)
HFP 130			Front panel hinge series for FP A 100-125 ▪ (2 pcs) incl. screws
FP 22046			Mounting foot kit (4 pcs) ▪ incl. screws





MNX PCM 125

5.1 x 5.1

UL Type 1, 4, 4X and 6

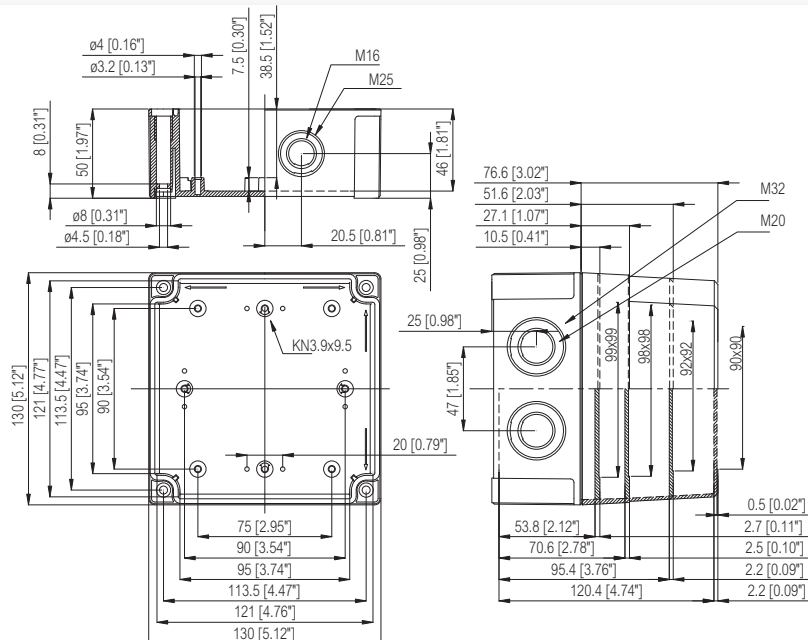
Including: Base with metric knock-outs and TPE gasket, cover with polyamide cover screws, and hardware screws for accessory mounting.

Enclosures

Order symbol	UL Order symbol	Dimensions inch	Dimensions mm	Description
PCM 125/60 G	UL PCM 125/60 G	5.1 x 5.1 x 2.4	130 x 130 x 60	Enclosure, PC • Opaque cover
PCM 125/75 G	UL PCM 125/75 G	5.1 x 5.1 x 3	130 x 130 x 75	Enclosure, PC • Opaque cover
PCM 125/100 G	UL PCM 125/100 G	5.1 x 5.1 x 3.9	130 x 130 x 100	Enclosure, PC • Opaque cover
PCM 125/125 G	UL PCM 125/125 G	5.1 x 5.1 x 4.9	130 x 130 x 125	Enclosure, PC • Opaque cover
PCM 125/60 T	UL PCM 125/60 T	5.1 x 5.1 x 2.4	130 x 130 x 60	Enclosure, PC • Smoked transparent cover
PCM 125/75 T	UL PCM 125/75 T	5.1 x 5.1 x 3	130 x 130 x 75	Enclosure, PC • Smoked transparent cover
PCM 125/100 T	UL PCM 125/100 T	5.1 x 5.1 x 3.9	130 x 130 x 100	Enclosure, PC • Smoked transparent cover
PCM 125/125 T	UL PCM 125/125 T	5.1 x 5.1 x 4.9	130 x 130 x 125	Enclosure, PC • Smoked transparent cover

Accessories

Order symbol	Dimensions inch	Dimensions mm	Description
MIV 125	3.9 x 3.9	98 x 98	Back Panel (Galvanized steel)
MIV 10	1.4 x 3.9	35 x 100	DIN-35 Mounting rail
FP A 125/130	4.7 x 4.4	120 x 112	Front panel (Aluminum)
HFP 130			Front panel hinge series for FP A 100-125 • (2 pcs) incl. screws
FP 22046			Mounting foot kit (4 pcs) • incl. screws



MNX PCM 150

7.1 x 5.1

UL Type 1, 4, 4X and 6

Including: Base with metric knock-outs and TPE gasket, cover with polyamide cover screws, and hardware screws for accessory mounting.

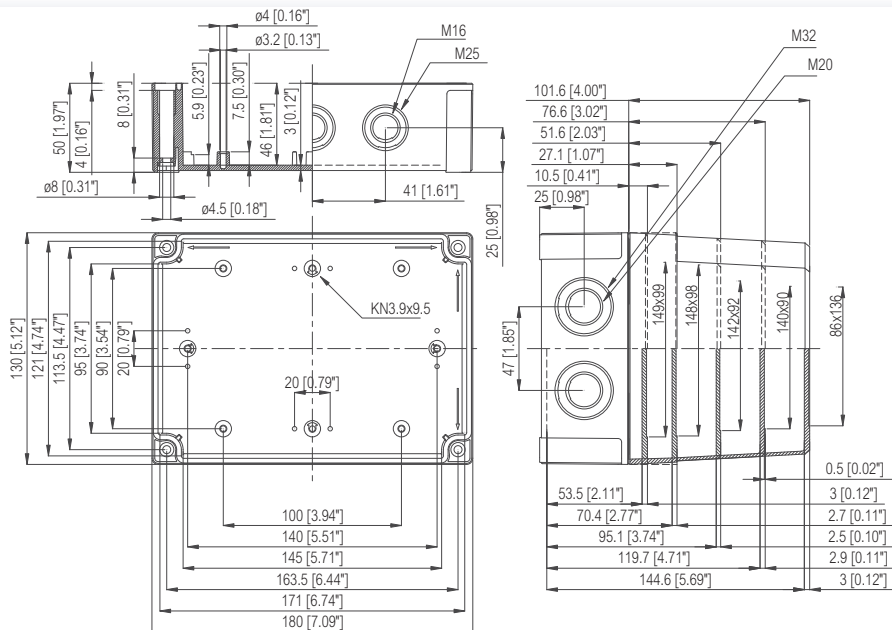


Enclosures

Order symbol	UL Order symbol	Dimensions inch	Dimensions mm	Description
PCM 150/60 G	UL PCM 150/60 G	7.1 x 5.1 x 2.4	180 x 130 x 60	Enclosure, PC ▪ Opaque cover
PCM 150/75 G	UL PCM 150/75 G	7.1 x 5.1 x 3	180 x 130 x 75	Enclosure, PC ▪ Opaque cover
PCM 150/100 G	UL PCM 150/100 G	7.1 x 5.1 x 3.9	180 x 130 x 100	Enclosure, PC ▪ Opaque cover
PCM 150/125 G	UL PCM 150/125 G	7.1 x 5.1 x 4.9	180 x 130 x 125	Enclosure, PC ▪ Opaque cover
PCM 150/150 G	UL PCM 150/150 G	7.1 x 5.1 x 5.9	180 x 130 x 150	Enclosure, PC ▪ Opaque cover
PCM 150/60 T	UL PCM 150/60 T	7.1 x 5.1 x 2.4	180 x 130 x 60	Enclosure, PC ▪ Smoked transparent cover
PCM 150/75 T	UL PCM 150/75 T	7.1 x 5.1 x 3	180 x 130 x 75	Enclosure, PC ▪ Smoked transparent cover
PCM 150/100 T	UL PCM 150/100 T	7.1 x 5.1 x 3.9	180 x 130 x 100	Enclosure, PC ▪ Smoked transparent cover
PCM 150/125 T	UL PCM 150/125 T	7.1 x 5.1 x 4.9	180 x 130 x 125	Enclosure, PC ▪ Smoked transparent cover
PCM 150/150 T	UL PCM 150/150 T	7.1 x 5.1 x 5.9	180 x 130 x 150	Enclosure, PC ▪ Smoked transparent cover

Accessories

Order symbol	Dimensions inch	Dimensions mm	Description
MIV 150	5.8 x 3.9	148 x 98	Back Panel (Galvanized steel)
MIV 10	1.4 x 3.9	35 x 100	DIN-35 Mounting rail
MIV 15	1.4 x 5.9	35 x 150	DIN-35 Mounting rail
FP A 150/180	6.7 x 4.4	170 x 112	Front panel (Aluminum)
HFP 180			Front panel hinge series for FP A 150-200 ▪ (2 pcs) incl. screws
FP 22046			Mounting foot kit (4 pcs) ▪ incl. screws





MNX PCM 150X

7.1 x 5.1

UL Type 1, 4, 4X and 6

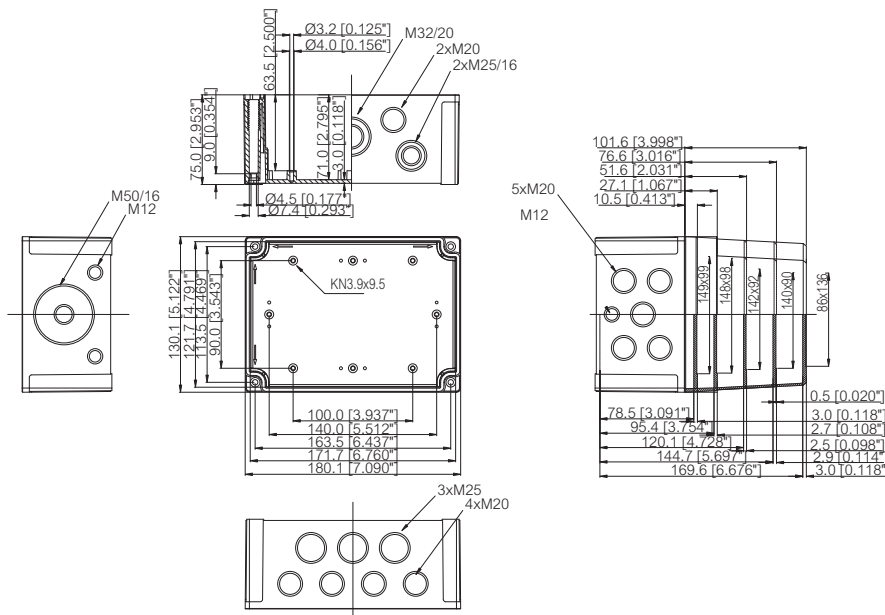
Including: Base with metric knock-outs and PUR gasket, cover with polyamide cover screws, and hardware screws for accessory mounting.

Enclosures

Order symbol	UL Order symbol	Dimensions inch	Dimensions mm	Description
PCM 150/85 XG	UL PCM 150/85 XG	7.1 x 5.1 x 3.3	180 x 130 x 85	Enclosure, PC • Opaque cover
PCM 150/100 XG	UL PCM 150/100 XG	7.1 x 5.1 x 3.9	180 x 130 x 100	Enclosure, PC • Opaque cover
PCM 150/125 XG	UL PCM 150/125 XG	7.1 x 5.1 x 4.9	180 x 130 x 125	Enclosure, PC • Opaque cover
PCM 150/150 XG	UL PCM 150/150 XG	7.1 x 5.1 x 5.9	180 x 130 x 150	Enclosure, PC • Opaque cover
PCM 150/175 XG	UL PCM 150/175 XG	7.1 x 5.1 x 6.9	180 x 130 x 175	Enclosure, PC • Opaque cover
PCM 150/85 XT	UL PCM 150/85 XT	7.1 x 5.1 x 3.3	180 x 130 x 85	Enclosure, PC • Smoked transparent cover
PCM 150/100 XT	UL PCM 150/100 XT	7.1 x 5.1 x 3.9	180 x 130 x 100	Enclosure, PC • Smoked transparent cover
PCM 150/125 XT	UL PCM 150/125 XT	7.1 x 5.1 x 4.9	180 x 130 x 125	Enclosure, PC • Smoked transparent cover
PCM 150/150 XT	UL PCM 150/150 XT	7.1 x 5.1 x 5.9	180 x 130 x 150	Enclosure, PC • Smoked transparent cover
PCM 150/175 XT	UL PCM 150/175 XT	7.1 x 5.1 x 6.9	180 x 130 x 175	Enclosure, PC • Smoked transparent cover

Accessories

Order symbol	Dimensions inch	Dimensions mm	Description
MIV 150	5.8 x 3.9	148 x 98	Back Panel (Galvanized steel)
MIV 10	1.4 x 3.9	35 x 100	DIN-35 Mounting rail
MIV 15	1.4 x 5.9	35 x 150	DIN-35 Mounting rail
FP A 150/180	6.7 x 4.4	170 x 112	Front panel (Aluminum)
HFP 180			Front panel hinge series for FP A 150-200 • (2 pcs) incl. screws
FP 22046			Mounting foot kit (4 pcs) • incl. screws



MNX PCM 175

7.1 x 7.1

UL Type 1, 4, 4X and 6

Including: Base with metric knock-outs and TPE gasket, cover with polyamide cover screws, and hardware screws for accessory mounting.

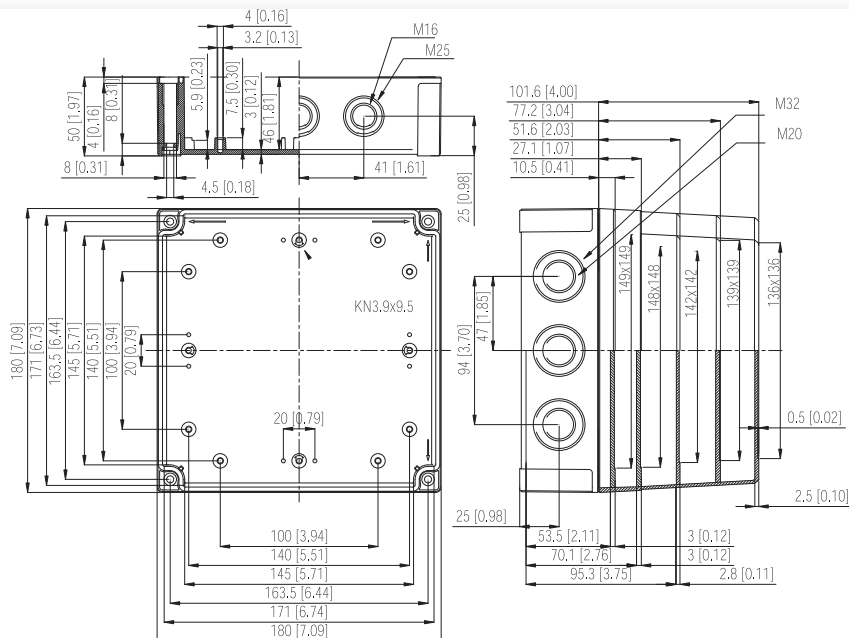


Enclosures

Order symbol	UL Order symbol	Dimensions inch	Dimensions mm	Description
PCM 175/60 G	UL PCM 175/60 G	7.1 x 7.1 x 2.4	180 x 180 x 60	Enclosure, PC ▪ Opaque cover
PCM 175/75 G	UL PCM 175/75 G	7.1 x 7.1 x 3	180 x 180 x 75	Enclosure, PC ▪ Opaque cover
PCM 175/100 G	UL PCM 175/100 G	7.1 x 7.1 x 3.9	180 x 180 x 100	Enclosure, PC ▪ Opaque cover
PCM 175/125 G	UL PCM 175/125 G	7.1 x 7.1 x 4.9	180 x 180 x 125	Enclosure, PC ▪ Opaque cover
PCM 175/150 G	UL PCM 175/150 G	7.1 x 7.1 x 5.9	180 x 180 x 150	Enclosure, PC ▪ Opaque cover
PCM 175/60 T	UL PCM 175/60 T	7.1 x 7.1 x 2.4	180 x 180 x 60	Enclosure, PC ▪ Smoked transparent cover
PCM 175/75 T	UL PCM 175/75 T	7.1 x 7.1 x 3	180 x 180 x 75	Enclosure, PC ▪ Smoked transparent cover
PCM 175/100 T	UL PCM 175/100 T	7.1 x 7.1 x 3.9	180 x 180 x 100	Enclosure, PC ▪ Smoked transparent cover
PCM 175/125 T	UL PCM 175/125 T	7.1 x 7.1 x 4.9	180 x 180 x 125	Enclosure, PC ▪ Smoked transparent cover
PCM 175/150 T	UL PCM 175/150 T	7.1 x 7.1 x 5.9	180 x 180 x 150	Enclosure, PC ▪ Smoked transparent cover

Accessories

Order symbol	Dimensions inch	Dimensions mm	Description
MIV 175	5.8 x 5.8	148 x 148	Back Panel (Galvanized steel)
MIV 15	1.4 x 5.9	35 x 150	DIN-35 Mounting rail
FP A 175/180	6.7 x 6.4	170 x 162	Front panel (Aluminum)
HFP 180			Front panel hinge series for FP A 150-200 ▪ (2 pcs) incl. screws
FP 22046			Mounting foot kit (4 pcs) ▪ incl. screws





MNX PCM 175X

7.1 x 7.1

UL Type 1, 4, 4X and 6

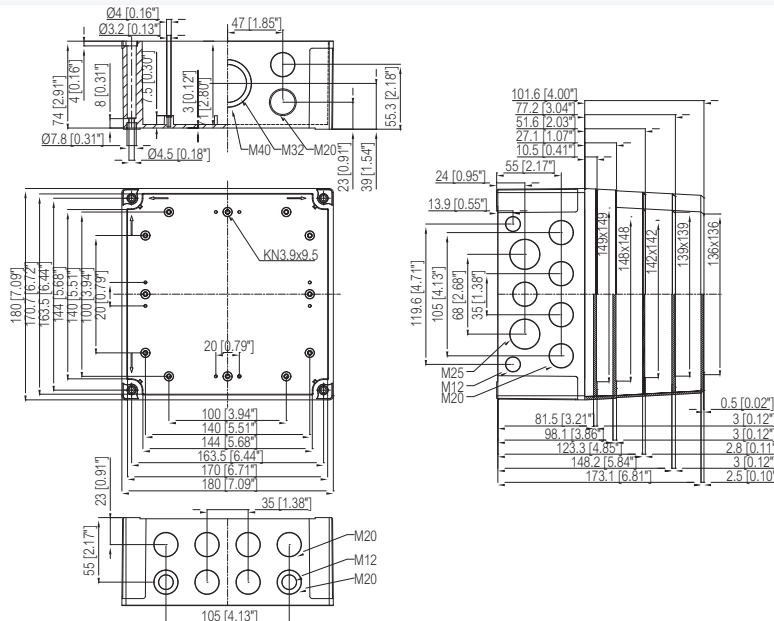
Including: Base with metric knock-outs and PUR gasket, screws for mounting plate/DIN-rail and cover with polyamide cover screws.

Enclosures

Order symbol	Order symbol UL	Dimensions inch	Dimensions mm	Description
PCM 175/85 XG	UL PCM 175/85 XG	7.1 x 7.1 x 3.3	180 x 180 x 85	Enclosure, PC • Opaque cover
PCM 175/100 XG	UL PCM 175/100 XG	7.1 x 7.1 x 3.9	180 x 180 x 100	Enclosure, PC • Opaque cover
PCM 175/125 XG	UL PCM 175/125 XG	7.1 x 7.1 x 4.9	180 x 180 x 125	Enclosure, PC • Opaque cover
PCM 175/150 XG	UL PCM 175/150 XG	7.1 x 7.1 x 5.9	180 x 180 x 150	Enclosure, PC • Opaque cover
PCM 175/175 XG	UL PCM 175/175 XG	7.1 x 7.1 x 6.9	180 x 180 x 175	Enclosure, PC • Opaque cover
PCM 175/85 XT	UL PCM 175/85 XT	7.1 x 7.1 x 3.3	180 x 180 x 85	Enclosure, PC • Smoked transparent cover
PCM 175/100 XT	UL PCM 175/100 XT	7.1 x 7.1 x 3.9	180 x 180 x 100	Enclosure, PC • Smoked transparent cover
PCM 175/125 XT	UL PCM 175/125 XT	7.1 x 7.1 x 4.9	180 x 180 x 125	Enclosure, PC • Smoked transparent cover
PCM 175/150 XT	UL PCM 175/150 XT	7.1 x 7.1 x 5.9	180 x 180 x 150	Enclosure, PC • Smoked transparent cover
PCM 175/175 XT	UL PCM 175/175 XT	7.1 x 7.1 x 6.9	180 x 180 x 175	Enclosure, PC • Smoked transparent cover

Accessories

Order symbol	Dimensions inch	Dimensions mm	Description
MIV 175	5.8 x 5.8	148 x 148	Back Panel (Galvanized steel)
MIV 15	1.4 x 5.9	35 x 150	DIN-35 Mounting rail
FP A 175/180	6.7 x 6.4	170 x 162	Front panel (Aluminum)
HFP 180			Front panel hinge series for FP A 150-200 • (2 pcs) incl. screws
FP 22046			Mounting foot kit (4 pcs) • incl. screws



MNX PCM 200

10.0 x 7.1

UL Type 1, 4, 4X and 6



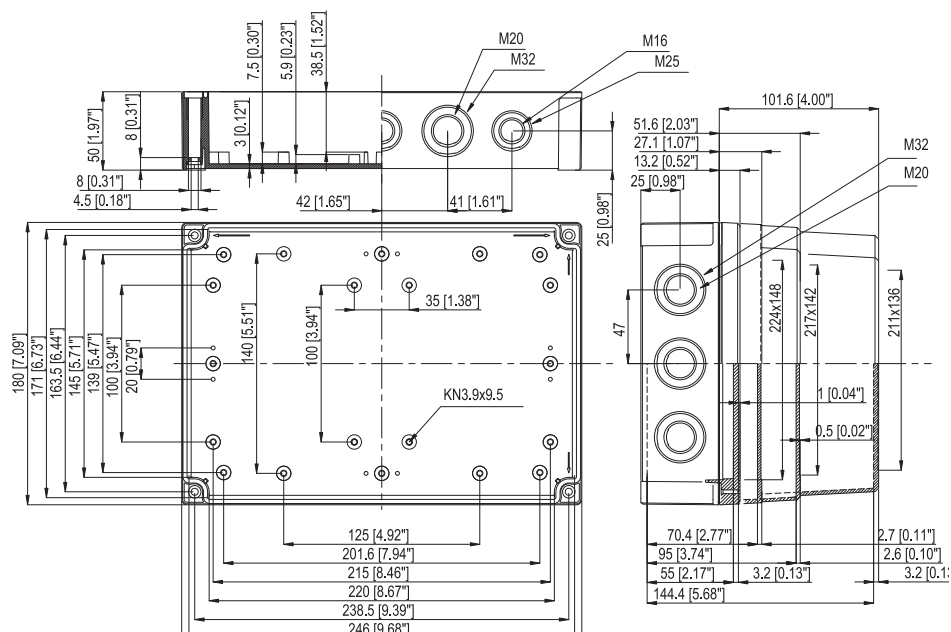
Including: Base with metric knock-outs and TPE gasket, cover with polyamide cover screws, and hardware screws for accessory mounting.

Enclosures

Order symbol	UL Order symbol	Dimensions inch	Dimensions mm	Description
PCM 200/63 G	UL PCM 200/63 G	10 x 7.1 x 2.5	255 x 180 x 63	Enclosure, PC ▪ Opaque cover
PCM 200/75 G	UL PCM 200/75 G	10 x 7.1 x 3	255 x 180 x 75	Enclosure, PC ▪ Opaque cover
PCM 200/100 G	UL PCM 200/100 G	10 x 7.1 x 3.9	255 x 180 x 100	Enclosure, PC ▪ Opaque cover
PCM 200/150 G	UL PCM 200/150 G	10 x 7.1 x 5.9	255 x 180 x 150	Enclosure, PC ▪ Opaque cover
PCM 200/63 T	UL PCM 200/63 T	10 x 7.1 x 2.5	255 x 180 x 63	Enclosure, PC ▪ Smoked transparent cover
PCM 200/75 T	UL PCM 200/75 T	10 x 7.1 x 3	255 x 180 x 75	Enclosure, PC ▪ Smoked transparent cover
PCM 200/100 T	UL PCM 200/100 T	10 x 7.1 x 3.9	255 x 180 x 100	Enclosure, PC ▪ Smoked transparent cover
PCM 200/150 T	UL PCM 200/150 T	10 x 7.1 x 5.9	255 x 180 x 150	Enclosure, PC ▪ Smoked transparent cover

Accessories

Order symbol	Dimensions inch	Dimensions mm	Description
MIV 200	8.8 x 5.8	223 x 148	Back Panel (Galvanized steel)
MIV 15	1.4 x 5.9	35 x 150	DIN-35 Mounting rail
MIV 20	1.4 x 8.9	35 x 225	DIN-35 Mounting rail
FP A 200/180	9.3 x 6.7	237 x 170	Front panel (Aluminum)
HFP 180			Front panel hinge series for FP A 150-200 ▪ (2 pcs) incl. screws
FP 22046			Mounting foot kit (4 pcs) ▪ incl. screws





MNX PCM 200X

10.0 x 7.1

UL Type 1, 4, 4X and 6

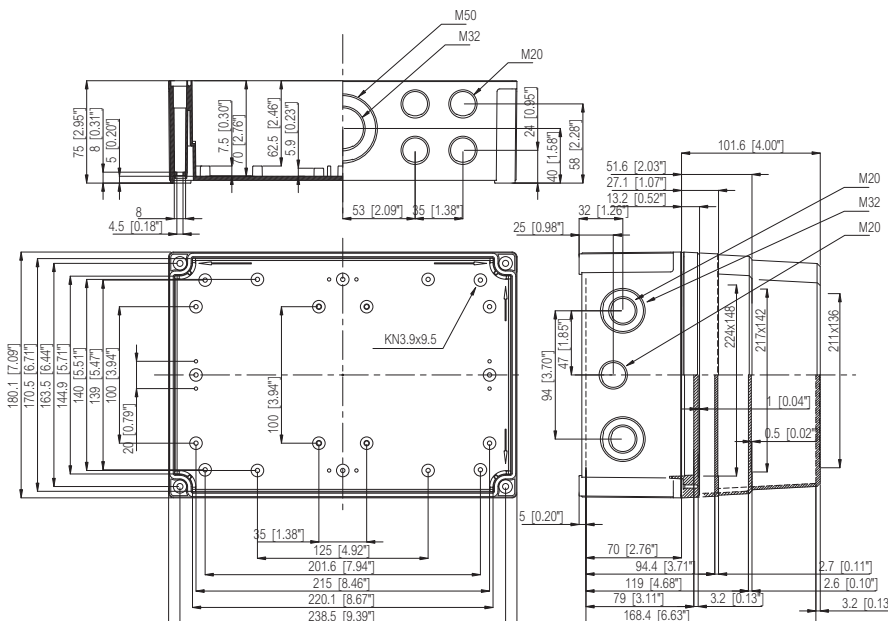
Including: Base with metric knock-outs and PUR gasket, cover with polyamide cover screws, and hardware screws for accessory mounting.

Enclosures

Order symbol	UL Order symbol	Dimensions inch	Dimensions mm	Description
PCM 200/88 XG	UL PCM 200/88 XG	10 x 7.1 x 3.5	255 x 180 x 88	Enclosure, PC • Opaque cover
PCM 200/100 XG	UL PCM 200/100 XG	10 x 7.1 x 3.9	255 x 180 x 100	Enclosure, PC • Opaque cover
PCM 200/125 XG	UL PCM 200/125 XG	10 x 7.1 x 4.9	255 x 180 x 125	Enclosure, PC • Opaque cover
PCM 200/175 XG	UL PCM 200/175 XG	10 x 7.1 x 6.9	255 x 180 x 175	Enclosure, PC • Opaque cover
PCM 200/88 XT	UL PCM 200/88 XT	10 x 7.1 x 3.5	255 x 180 x 88	Enclosure, PC • Smoked transparent cover
PCM 200/100 XT	UL PCM 200/100 XT	10 x 7.1 x 3.9	255 x 180 x 100	Enclosure, PC • Smoked transparent cover
PCM 200/125 XT	UL PCM 200/125 XT	10 x 7.1 x 4.9	255 x 180 x 125	Enclosure, PC • Smoked transparent cover
PCM 200/175 XT	UL PCM 200/175 XT	10 x 7.1 x 6.9	255 x 180 x 175	Enclosure, PC • Smoked transparent cover

Accessories

Order symbol	Dimensions inch	Dimensions mm	Description
MIV 200	8.8 x 5.8	223 x 148	Back Panel (Galvanized steel)
MIV 15	1.4 x 5.9	35 x 150	DIN-35 Mounting rail
MIV 20	1.4 x 8.9	35 x 225	DIN-35 Mounting rail
FP A 200/180	9.3 x 6.7	237 x 170	Front panel (Aluminum)
HFP 180			Front panel hinge series for FP A 150-200 • (2 pcs) incl. screws
FP 22046			Mounting foot kit (4 pcs) • incl. screws



MNX PCM 300Z

14.2 x 10.0

NEMA 1, 4, 4X, and 6



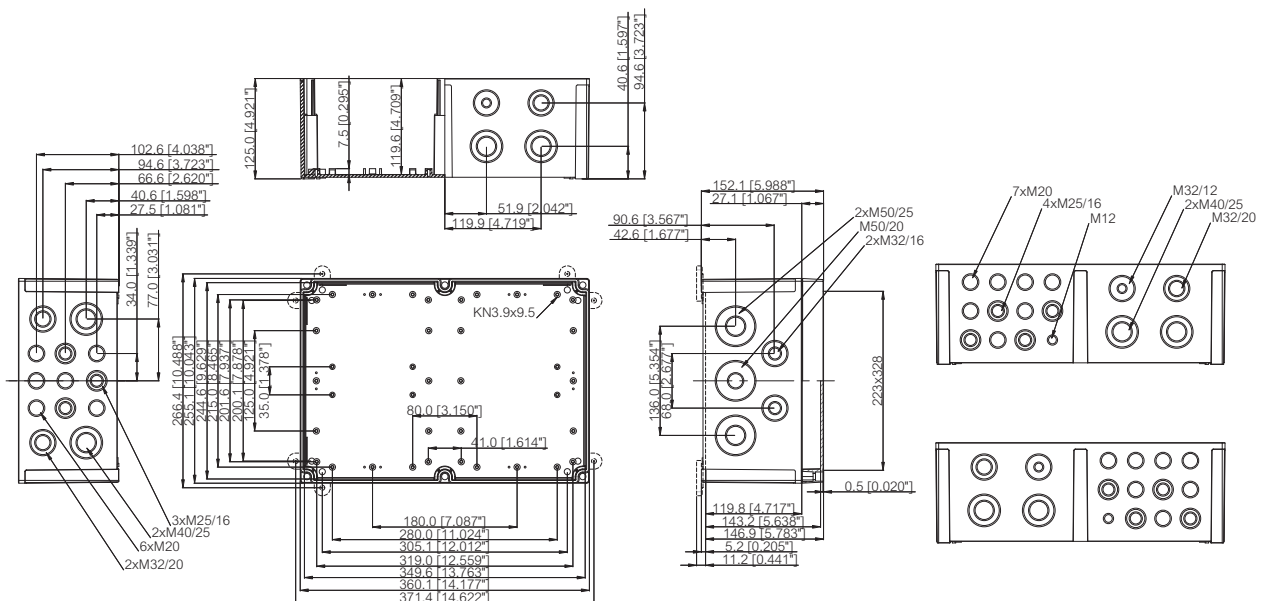
Including: Base with metric knock-outs and PUR gasket, cover with polyamide cover screws, and hardware screws for accessory mounting.

Enclosures

Order symbol	Dimensions inch	Dimensions mm	Description
PCM 300/150 ZG	14.2 x 10 x 6	360 x 255 x 152	Enclosure, PC ▪ Opaque cover
PCM 300/150 ZT	14.2 x 10 x 6	360 x 255 x 152	Enclosure, PC ▪ Smoked transparent cover

Accessories

Order symbol	Dimensions inch	Dimensions mm	Description
MIV 300	13 x 8.9	330 x 225	Back Panel (Galvanized steel)
MIV 200	8.8 x 5.8	223 x 148	Back Panel (Galvanized steel)
MIV 150	5.8 x 3.9	148 x 98	Back Panel (Galvanized steel)
MIV 30	1.4 x 13	35 x 329	DIN-35 Mounting rail
MIV 20	1.4 x 8.9	35 x 225	DIN-35 Mounting rail
MIV 15	1.4 x 5.9	35 x 150	DIN-35 Mounting rail
FP 10674			Mounting foot kit (2 pcs) ▪ incl. screws



ACCESSORIES

Order symbol Description

Back Panels (Galvanized steel, sheet thickness 1,5 mm)

MIV 95	2.6 x 3.1 inch ▪ 66 x 80 mm
MIV 100	3.9 x 1.9 inch ▪ 98 x 48 mm
MIV 125	3.9 x 3.9 inch ▪ 98 x 98 mm
MIV 150	5.8 x 3.9 inch ▪ 148 x 98 mm
MIV 175	5.8 x 5.8 inch ▪ 148 x 148 mm
MIV 200	8.8 x 5.8 inch ▪ 223 x 148 mm
MIV 300	13 x 8.9 inch ▪ 330 x 225 mm

DIN-35 Mounting rails (Galvanized steel, rail height 7,5 mm)

MIV 5	1.4 x 2 inch ▪ 35 x 50 mm
MIV 10	1.4 x 3.9 inch ▪ 35 x 100 mm
MIV 15	1.4 x 5.9 inch ▪ 35 x 150 mm
MIV 20	1.4 x 8.9 inch ▪ 35 x 225 mm
MIV 30	1.4 x 13 inch ▪ 35 x 329 mm

Front panels (Aluminum, sheet thickness 1,5 mm)

FP A 100/130	4.7 x 2.4 inch ▪ 120 x 62 mm
FP A 125/130	4.7 x 4.4 inch ▪ 120 x 112 mm
FP A 150/180	6.7 x 4.4 inch ▪ 170 x 112 mm
FP A 175/180	6.7 x 6.4 inch ▪ 170 x 162 mm
FP A 200/180	9.3 x 6.7 inch ▪ 237 x 170 mm

Front panel hinge series

HFP 130	Front panel hinge series for FP A 100-125 ▪ (2 pcs) incl. screws
HFP 180	Front panel hinge series for FP A 150-200 ▪ (2 pcs) incl. screws

Hinges and wall mounting

TH A	Gray plastic hinges (2 pcs) ▪ incl. mounting screws
MB 14560	Gray blind plug ▪ Use with TH A hinges
FP 22046	Mounting foot kit (4 pcs) ▪ incl. screws
FP 10674	Mounting foot kit (2 pcs) ▪ incl. screws

Cover screws

SS 14550L	Cover screw for 10/13 mm cover ▪ Gray
SS 14551H	Cover screw for 25-100 mm covers ▪ Gray
SS 14550BL	Cover screw for 10/13 mm cover ▪ Black
SS 14551BH	Cover screw for 25-100 mm covers ▪ Black

Gray screw set for Gray covers

MBS LL	Low cover (10/13 mm) ▪ Low base (25 mm)
MBS LH	Low cover (10/13 mm) ▪ High base (50-125 mm)
MBS HL	High cover (25-100 mm) ▪ Low base (25 mm)
MBS HH	High cover (25-100 mm) ▪ High base (50-125 mm)

Black screw set for transparent covers

MBS BLL	Low cover (10/13 mm) ▪ Low base (25 mm)
MBS BLH	Low cover (10/13 mm) ▪ High base (50 - 125 mm)
MBS BHL	High cover (25-100 mm) ▪ Low base (25 mm)
MBS BHH	High cover (25-100 mm) ▪ High base (50-125 mm)



ACCESSORIES

Order symbol Description

Polyamide wing heads

MB 14552	Wing head for cover screw ▪ Gray
MB 14552B	Wing head for cover screw ▪ Black

Polyamide sealing plugs

DP 14553	Sealing plug for cover screw ▪ Gray
DP 14553B	Sealing plug for cover screw ▪ Black

Mounting screws

MR ZN2.9x6.5	Mounting screw ▪ only for low bases (25 mm)
KN 3.9x9.5	Mounting screw



MNX technical information

Property	Polycarbonate (PC)
Ingress Protection (EN 60529)	IP 66/IP 67
Impact Resistance (EN 62262)	IK 08
Temperature Range Celsius (short term)	-40° . . 120°C
Temperature Range Celsius (continuous)	-40° . . 80°C
Temperature Range Fahrenheit (short term)	-40° . . 250°F
Temperature Range Fahrenheit (continuous)	-40° . . 175°F
Electrical Insulation	Totally insulated ☑
Light Gray Parts Color	RAL 7035 Industry Gray
Transparent Clear PC Cover	Smoked Gray
Cover Screws	Black or Gray
Cover Screws	Polyamide (PA)
Gasket	TPE/PUR
Enclosure Flammability Rating	Complies with UL 508
Glow Wire Test (IEC 695-2-1) Self-extinguishing (PC)	960°C
Non-toxicity	Halogen Free
UV resistance	Complies with UL 508
Chemical Resistance *	Good

Conformity to standards

USA Enclosures for Electrical Equipment
UL Type 1, 4, 4X and 6; UL File E75645

Canada Industrial Control Equipment
Enclosures for Electrical Equipment/cUL

Europe Empty enclosures for low-voltage switchgear and controlgear assemblies EN 62208:2003 (50298:1998)

Europe Safety of Information Technology Equipment
EN 60950
RoHS directive 2002/95/EC

Russia GostR - Gost Russian certificate of conformity

Data subject to change without notice.

*Consult separate raw material data for more detailed information