

Fibox QUICK

Quick wall mounting enclosures feature Quick Lock quarter turn screws for securing the cover lid. Transparent cover options allow easy viewing of installed equipment and indicators. Tough, impact resistant polycarbonate withstands harsh and demanding environments.



QUICK



Quick locking cover screws



Adjustable depth for front panel



RoHS compliant and halogen-free

QUICK PC 32

11.8 x 7.9

NEMA 1, 12 and 13

Including: Base with hardware screws for accessory mounting, internal corner plugs, cover with PUR gasket and CS 12137 cover screws.

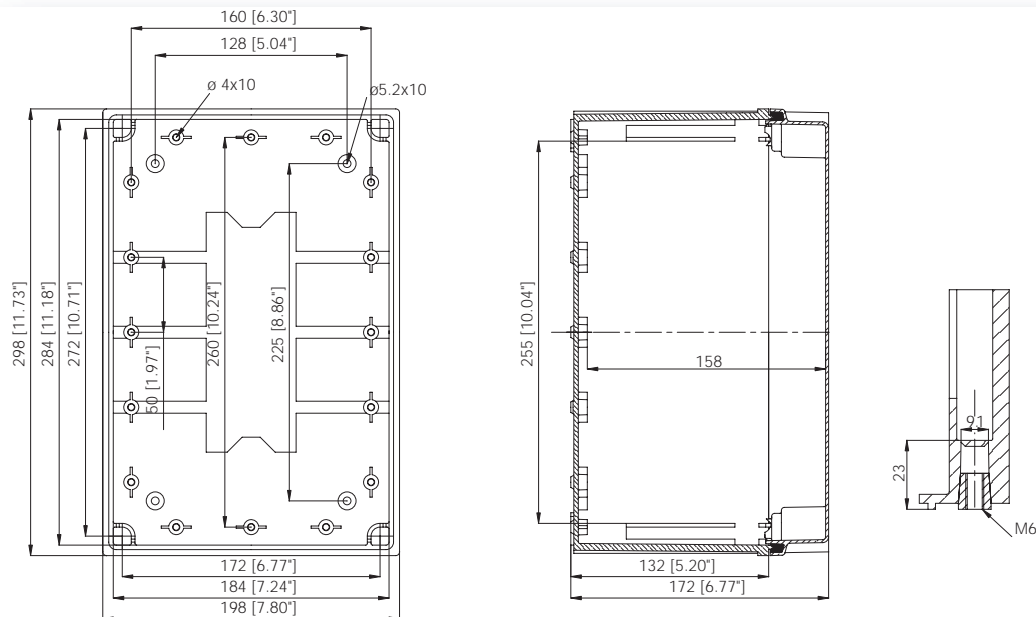


Enclosures

Order symbol	Dimensions inch	Dimensions mm	Description
CAB PCQ 302017 G	11.8 x 7.9 x 6.7	300 x 200 x 170	Enclosure, PC • Opaque cover
CAB PCQ 302017 T	11.8 x 7.9 x 6.7	300 x 200 x 170	Enclosure, PC • Smoked transparent cover

Accessories

Order symbol	Dimensions inch	Dimensions mm	Description
EKIV 23	6.7 x 10.6	170 x 270	Back Panel
EKIV 17	1.4 x 6.5	35 x 166	DIN-35 Mounting rail
EKIV 27	1.4 x 10.5	35 x 266	DIN-35 Mounting rail
FP A 23	6.5 x 10.6	166 x 268	Swing-out door/Front panel (aluminum)
MB 12225 AL			Swing door kit • for aluminum front panels
DRF 23			DIN rail frame kit • incl. a pair of metal profile bar, mounting screws and front panel holders
DRF 33			DIN rail frame kit • incl. a pair of metal profile bar, mounting screws and front panel holders
PAT 12040			Hinge kit • incl. screws





QUICK PC 33

11.8 x 11.8

NEMA 1, 12 and 13

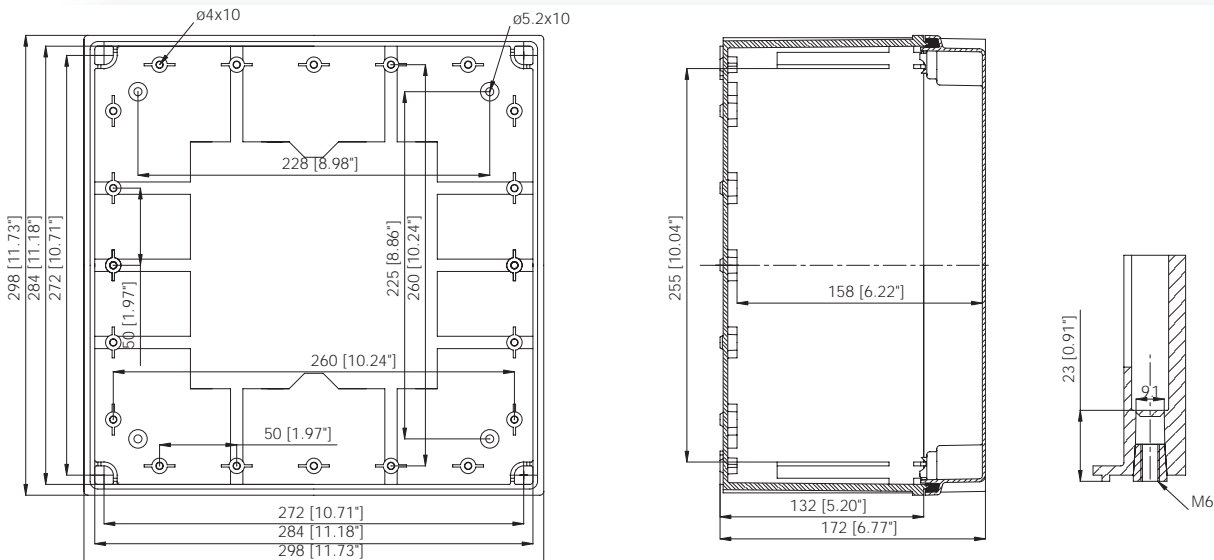
Including: Base with hardware screws for accessory mounting, internal corner plugs, cover with PUR gasket and CS 12137 cover screws.

Enclosures

Order symbol	Dimensions inch	Dimensions mm	Description
CAB PCQ 303017 G	11.8 x 11.8 x 6.7	300 x 300 x 170	Enclosure, PC • Opaque cover
CAB PCQ 303017 T	11.8 x 11.8 x 6.7	300 x 300 x 170	Enclosure, PC • Smoked transparent cover

Accessories

Order symbol	Dimensions inch	Dimensions mm	Description
EKIV 33	10.6 x 10.6	270 x 270	Back Panel
EKIV 27	1.4 x 10.5	35 x 266	DIN-35 Mounting rail
FP A 33	10.5 x 10.6	266 x 268	Swing-out door/Front panel (aluminum)
MB 12225 AL			Swing door kit • for aluminum front panels
DRF 33			DIN rail frame kit • incl. a pair of metal profile bar, mounting screws and front panel holders
PAT 12040			Hinge kit • incl. screws



QUICK PC 43

15.7 x 11.8

NEMA 1, 12 and 13

Including: Base with hardware screws for accessory mounting, internal corner plugs, cover with PUR gasket and CS 12137 cover screws.

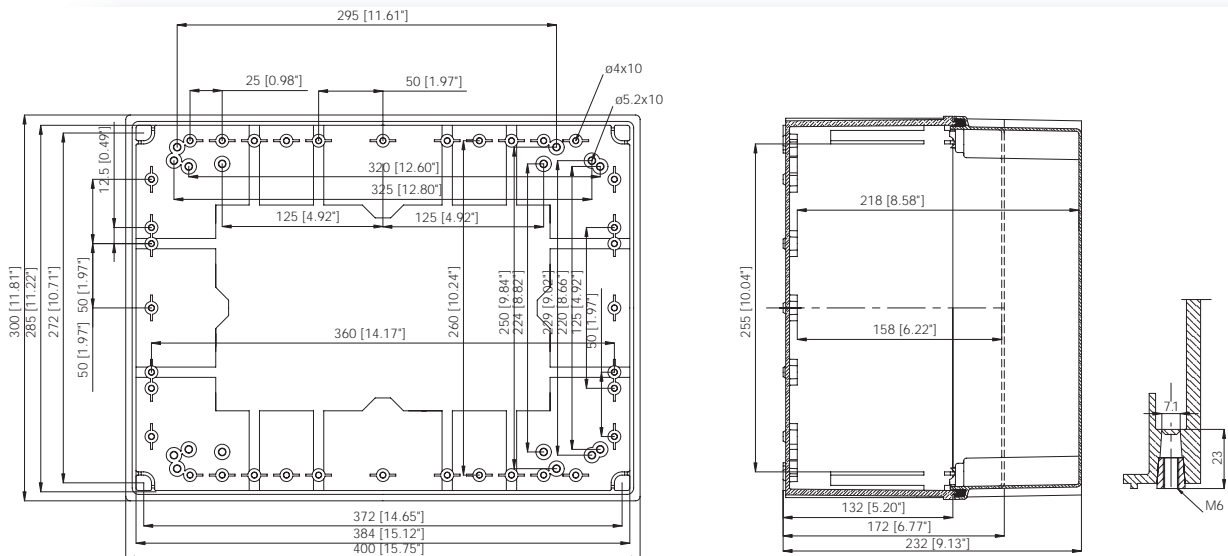


Enclosures

Order symbol	Dimensions inch	Dimensions mm	Description
CAB PCQ 403017 G	15.7 x 11.8 x 6.7	400 x 300 x 170	Enclosure, PC ▪ Opaque cover
CAB PCQ 403023 G	15.7 x 11.8 x 9.1	400 x 300 x 230	Enclosure, PC ▪ Opaque cover
CAB PCQ 403017 T	15.7 x 11.8 x 6.7	400 x 300 x 170	Enclosure, PC ▪ Smoked transparent cover
CAB PCQ 403023 T	15.7 x 11.8 x 9.1	400 x 300 x 230	Enclosure, PC ▪ Smoked transparent cover

Accessories

Order symbol	Dimensions inch	Dimensions mm	Description
EKIV 43	14.6 x 10.6	370 x 270	Back Panel
EKIV 27	1.4 x 10.5	35 x 266	DIN-35 Mounting rail
EKIV 37	1.4 x 14.4	35 x 366	DIN-35 Mounting rail
FP A 43	10.5 x 14.5	266 x 368	Swing-out door/Front panel (aluminum)
MB 12225 AL			Swing door kit ▪ for aluminum front panels
DRF 43/44			DIN rail frame kit ▪ incl. a pair of metal profile bar, mounting screws and front panel holders
PAT 12040			Hinge kit ▪ incl. screws





QUICK PC 44

15.7 x 15.7

NEMA 1, 12 and 13

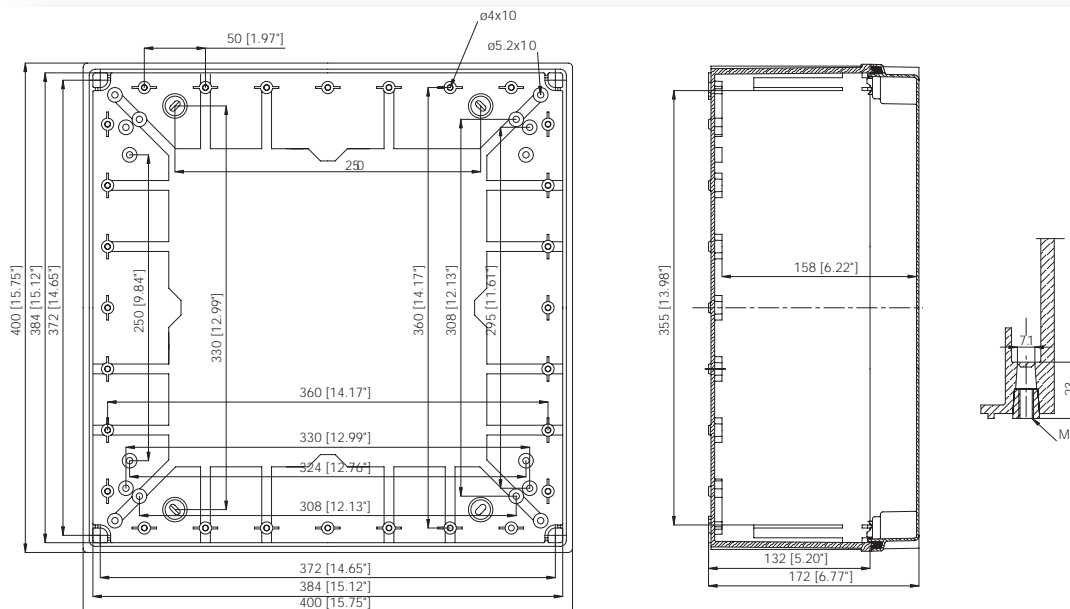
Including: Base with hardware screws for accessory mounting, internal corner plugs, cover with PUR gasket and CS 12137 cover screws.

Enclosures

Order symbol	Dimensions inch	Dimensions mm	Description
CAB PCQ 404017 G	15.7 x 15.7 x 6.7	400 x 400 x 170	Enclosure, PC • Opaque cover
CAB PCQ 404017 T	15.7 x 15.7 x 6.7	400 x 400 x 170	Enclosure, PC • Smoked transparent cover

Accessories

Order symbol	Dimensions inch	Dimensions mm	Description
EKIV 44	14.6 x 14.6	370 x 370	Back Panel
EKIV 37	1.4 x 14.4	35 x 366	DIN-35 Mounting rail
FP A 44	14.5 x 14.5	368 x 368	Swing-out door/Front panel (aluminum)
MB 12225 AL			Swing door kit • for aluminum front panels
EKI EXT 44	15.7 x 15.7 x 3.9	400 x 400 x 100	Extension frame
DRF 43/44			DIN rail frame kit • incl. a pair of metal profile bar, mounting screws and front panel holders
PAT 12040			Hinge kit • incl. screws





QUICK PC 64

23.6 x 15.7

NEMA 1, 12 and 13

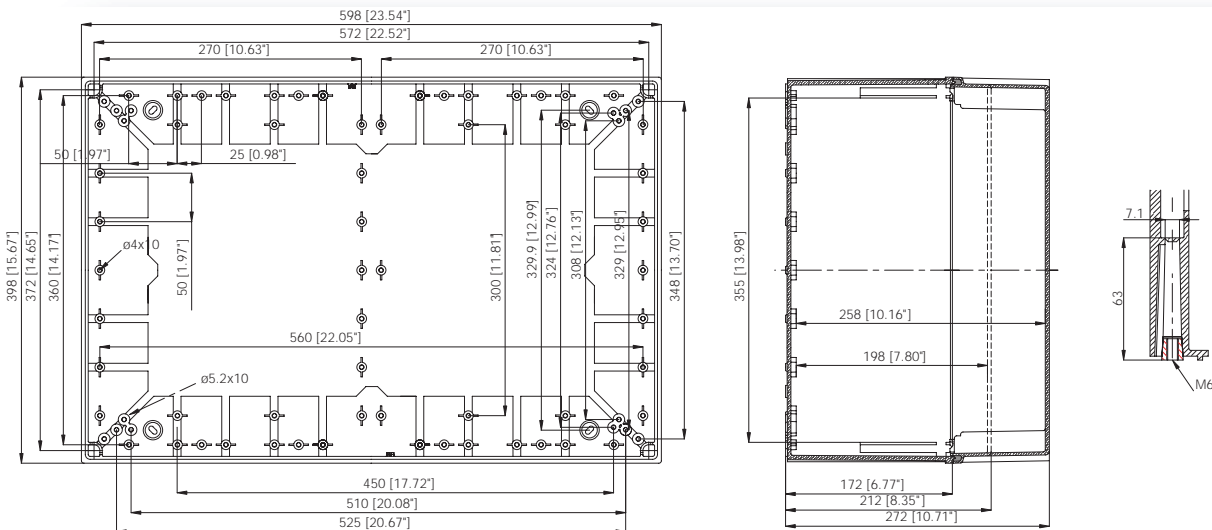
Including: Base with hardware screws for accessory mounting, internal corner plugs, cover with PUR gasket and CS 12137 cover screws.

Enclosures

Order symbol	Dimensions inch	Dimensions mm	Description
CAB PCQ 604021 G	23.6 x 15.7 x 8.3	600 x 400 x 210	Enclosure, PC ▪ Opaque cover
CAB PCQ 604027 G	23.6 x 15.7 x 10.6	600 x 400 x 270	Enclosure, PC ▪ Opaque cover
CAB PCQ 604021 T	23.6 x 15.7 x 8.3	600 x 400 x 210	Enclosure, PC ▪ Smoked transparent cover
CAB PCQ 604027 T	23.6 x 15.7 x 10.6	600 x 400 x 270	Enclosure, PC ▪ Smoked transparent cover

Accessories

Order symbol	Dimensions inch	Dimensions mm	Description
EKIV 64H	22.4 x 14.6	570 x 370	Back Panel
EKIV 37	1.4 x 14.4	35 x 366	DIN-35 Mounting rail
FP A 64	22.4 x 14.4	568 x 366	Swing-out door/Front panel (aluminum)
MB 12225 AL			Swing door kit ▪ for aluminum front panels
DRF 63/64			DIN rail frame kit ▪ incl. a pair of metal profile bar, mounting screws and front panel holders
PAT 12040			Hinge kit ▪ incl. screws



ACCESSORIES

Order symbol Description

Back Panels (Galvanized steel, sheet thickness 1,5 mm)

EKIV 23	6.7 x 10.6 inch ▪ 170 x 270 mm
EKIV 33	10.6 x 10.6 inch ▪ 270 x 270 mm
EKIV 43	14.6 x 10.6 inch ▪ 370 x 270 mm
EKIV 44	14.6 x 14.6 inch ▪ 370 x 370 mm
EKIV 63	22.4 x 10.6 inch ▪ 570 x 270 mm ▪ Use with FA 12053
EKIV 64H	22.4 x 14.6 inch ▪ 570 x 370 mm

Spacers

FA 12053	Spacer 14 mm ▪ M5 self-cutting
FA 12052	Spacer 42 mm ▪ M5 self-cutting

DIN-35 Mounting rails (Galvanized steel, rail height 7,5 mm)

EKIV 17	1.4 x 6.5 inch ▪ 35 x 166 mm
EKIV 27	1.4 x 10.5 inch ▪ 35 x 266 mm
EKIV 37	1.4 x 14.4 inch ▪ 35 x 366 mm
EKIV 47	1.4 x 18.3 inch ▪ 35 x 466 mm

Front plates (Aluminum, sheet thickness 1,5 mm)

FP A 23	6.5 x 10.6 inch ▪ 166 x 268 mm
FP A 33	10.5 x 10.6 inch ▪ 266 x 268 mm
FP A 43	10.5 x 14.5 inch ▪ 266 x 368 mm
FP A 44	14.5 x 14.5 inch ▪ 368 x 368 mm
FP A 63	10.5 x 22.4 inch ▪ 266 x 568 mm
FP A 64	22.4 x 14.4 inch ▪ 568 x 366 mm

Swing door kits

MB 12225 AL	Swing door kit ▪ for aluminum front panels
-------------	--

Hinges and wall mounting

PAT 12040	Hinge kit ▪ incl. screws
FP 12017	Mounting foot kit (4 pcs) ▪ incl. screws
SP 12087	Corner plug, red

DIN rail frame kits

DRF 23	DIN rail frame kit ▪ incl. a pair of metal profile bar, mounting screws and front panel holders
DRF 33	DIN rail frame kit ▪ incl. a pair of metal profile bar, mounting screws and front panel holders
DRF 43/44	DIN rail frame kit ▪ incl. a pair of metal profile bar, mounting screws and front panel holders
DRF 54	DIN rail frame kit ▪ incl. a pair of metal profile bar, mounting screws and front panel holders
DRF 63/64	DIN rail frame kit ▪ incl. a pair of metal profile bar, mounting screws and front panel holders

Cover screw heads and mounting screws

CS 12137	Cover screw head, blue ▪ crossed head
SS 12136	Cover screw head, gray ▪ slotted head
HS 12112	Cover screw head, gray ▪ wing head
BS 12138	Cover screw head, gray ▪ blind head
QUICK SET	Kit includes 4x CS 12137, 4x SP 12087 and 4 mounting screws
MSM PT 5x10	Mounting screw



QUICK technical information

Property	Polycarbonate (PC)
Ingress Protection (EN 60529)	IP 66/IP 67
Impact Resistance (EN 62262)	IK 08
Temperature Range Celsius	-40° . . 120°C
(short term) Fahrenheit	-40° . . 250°F
Temperature Range Celsius	-40° . . 80°C
(continuous) Fahrenheit	-40° . . 175°F
Electrical Insulation	Totally insulated B
Light Gray Parts Color	RAL 7035 Industry Gray
Transparent Clear PC Cover	Smoked Gray
Cover Screw heads	RAL5023
Cover Screw heads	Polyamide (PA)
Gasket	PUR
Enclosure Flammability Rating	Complies with UL 508
Glow Wire Test (IEC 695-2-1) Self-extinguishing (PC)	960°C
Non-toxicity	Halogen Free
UV resistance	Complies with UL 508
Chemical Resistance *	Good

Confirmity to standards

USA Enclosures for Electrical Equipment
NEMA 1, 12 and 13

Canada Industrial Control Equipment
Enclosures for Electrical Equipment/cUL

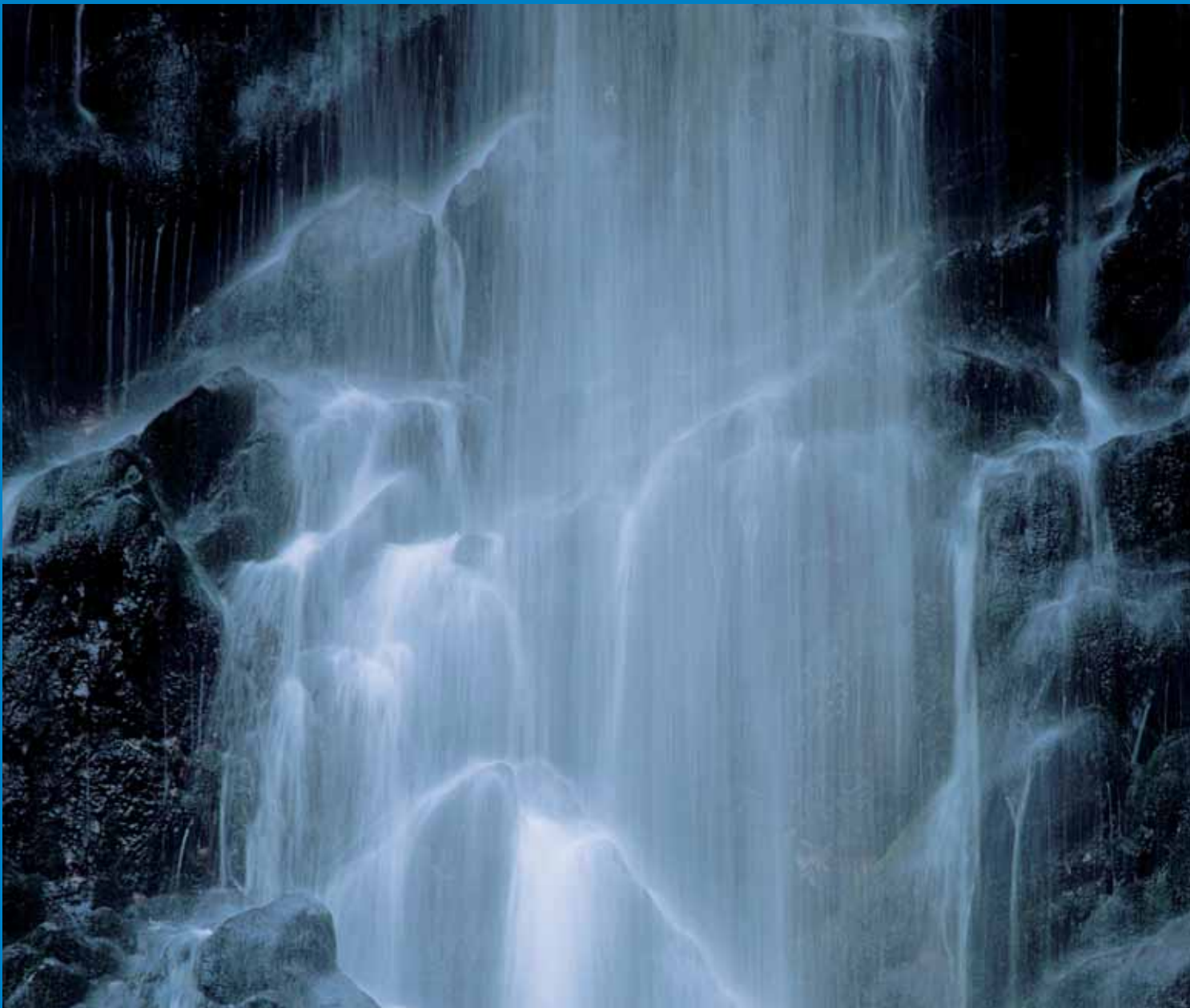
Europe Empty enclosures for low-voltage switchgear
and controlgear assemblies EN 62208:2003
(50298:1998)

Europe Safety of Information Technology Equipment
EN 60950
RoHS directive 2002/95/EC

Russia GostR - Gost Russian certificate of conformity

Data subject to change without notice.

*Consult separate raw material data for more detailed information



FIBOX – Solutions for demanding environments

