

Fibox EURONORD

EURONORD enclosures are designed to house DIN-rail mounted terminal blocks and various types of sensors. EURONORD enclosures are available in polycarbonate and fiberglass. There are more than 160 different off-the-shelf versions available.



EURONORD



Quicklock



Ideal for housing terminals



RoHS compliant and halogen-free

EURONORD PC 0505

2.0 x 2.0

UL Type 1, 4, 4X, 12 and 13



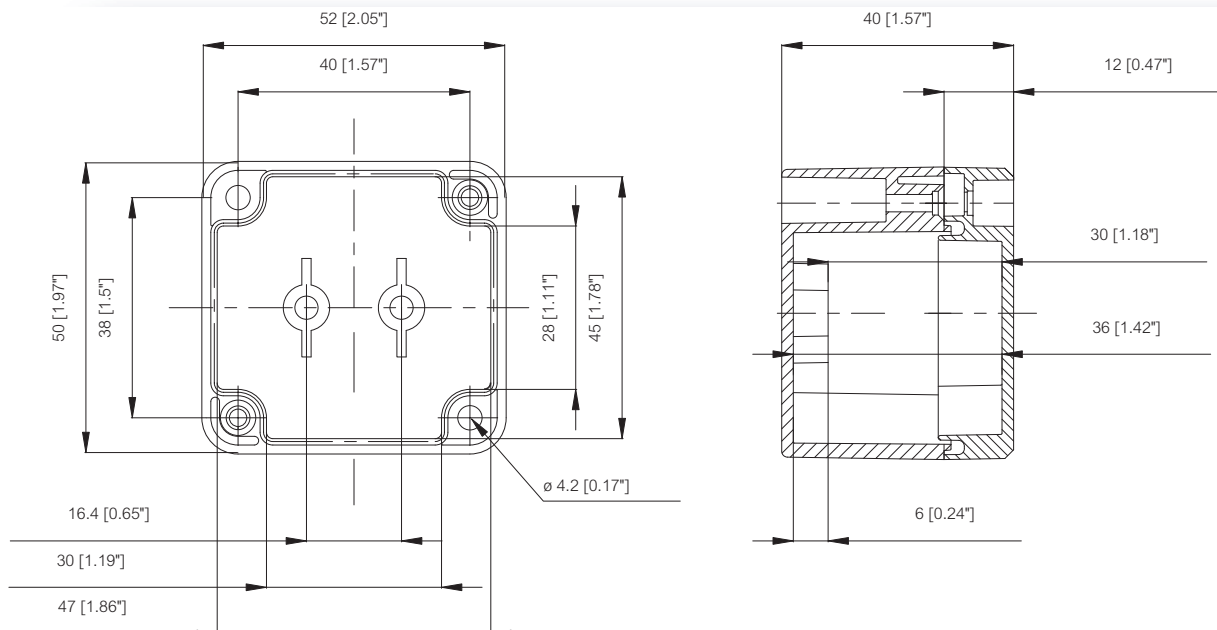
Including: Base with hardware screws for accessory mounting, cover with PUR gasket and ferritic stainless steel cover screws.

Enclosures

Order symbol	UL Order symbol	Dimensions inch	Dimensions mm	Description
PC 050504	UL PC 050504	2 x 2 x 1.6	52 x 50 x 40	Enclosure, PC ▪ Opaque cover

Accessories

Order symbol	Dimensions inch	Dimensions mm	Description
TM 0505 TF 28037 TH A	1 x 1.7	26 x 44	Back Panel Mounting foot kit (4 pcs) ▪ incl. screws Gray plastic hinges (2 pcs) ▪ incl. mounting screws





EURONORD PC 0507

2.6 x 2.0

UL Type 1, 4, 4X, 12 and 13

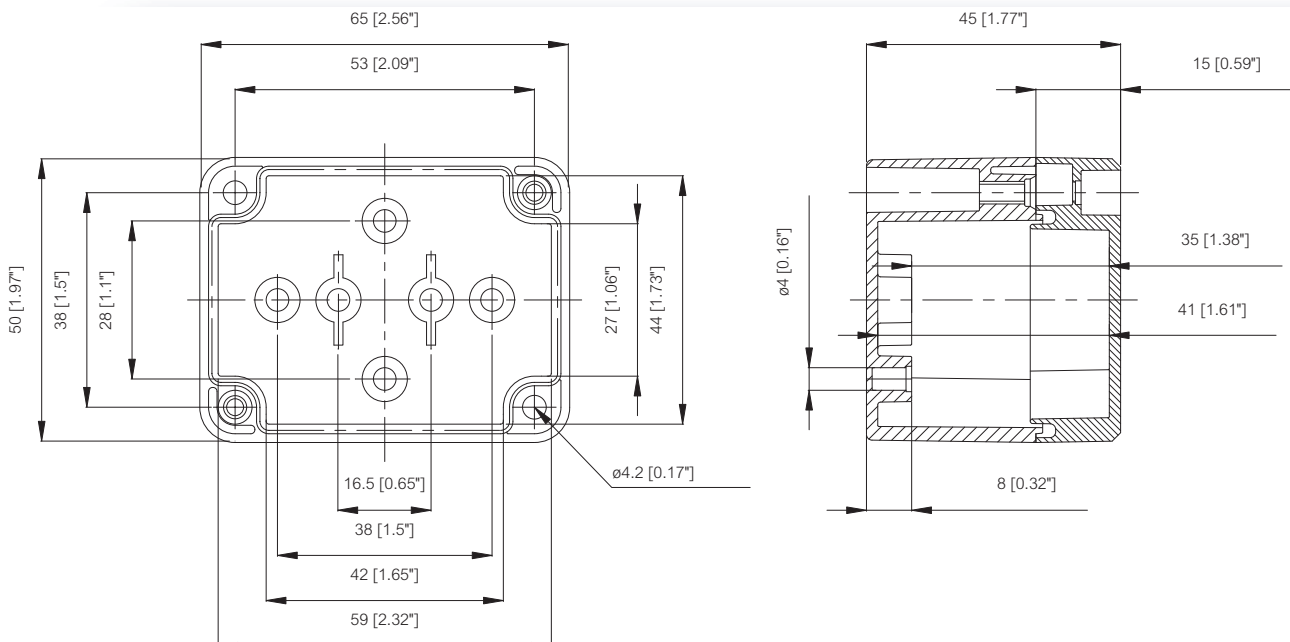
Including: Base with hardware screws for accessory mounting, cover with PUR gasket and ferritic stainless steel cover screws.

Enclosures

Order symbol	UL Order symbol	Dimensions inch	Dimensions mm	Description
PC 050705	UL PC 050705	2.6 x 2 x 1.8	65 x 50 x 45	Enclosure, PC • Opaque cover
PCT 050705	UL PCT 050705	2.6 x 2 x 1.8	65 x 50 x 45	Enclosure, PC • Transparent cover

Accessories

Order symbol	Dimensions inch	Dimensions mm	Description
TM 0505	1 x 1.7	26 x 44	Back Panel
TM 0507	1 x 2.2	26 x 57	Back Panel
TF 28037			Mounting foot kit (4 pcs) • incl. screws
TH A			Gray plastic hinges (2 pcs) • incl. mounting screws



EURONORD PC 0710

3.9 x 2.6

UL Type 1, 4, 4X, 12 and 13

Including: Base with hardware screws for accessory mounting, cover with PUR gasket and ferritic stainless steel cover screws.

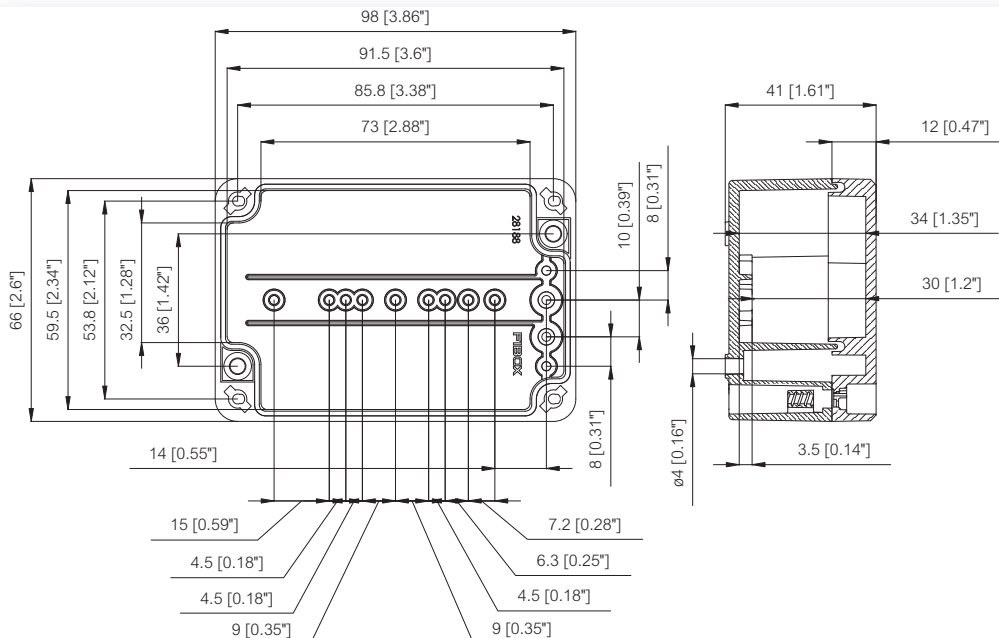


Enclosures

Order symbol	UL Order symbol	Dimensions inch	Dimensions mm	Description
PC 071004	UL PC 071004	3.9 x 2.6 x 1.6	98 x 66 x 41	Enclosure, PC ▪ Opaque cover
PCT 071004	UL PCT 071004	3.9 x 2.6 x 1.6	98 x 66 x 41	Enclosure, PC ▪ Transparent cover

Accessories

Order symbol	Dimensions inch	Dimensions mm	Description
TF 28037			Mounting foot kit (4 pcs) ▪ incl. screws
TH A			Gray plastic hinges (2 pcs) ▪ incl. mounting screws





EURONORD PC 0808

3.2 x 3.1

UL Type 1, 4, 4X, 12 and 13

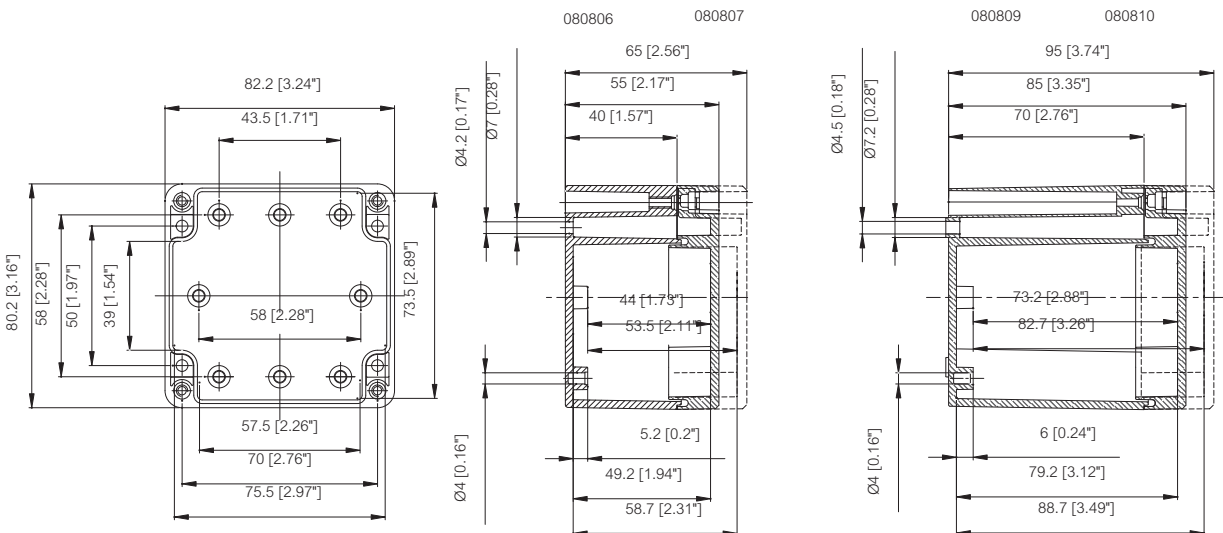
Including: Base with hardware screws for accessory mounting, cover with PUR gasket and ferritic stainless steel cover screws.

Enclosures

Order symbol	UL Order symbol	Dimensions inch	Dimensions mm	Description
PC 080806	UL PC 080806	3.2 x 3.1 x 2.2	82 x 80 x 55	Enclosure, PC ▪ Opaque cover
PC 080807	UL PC 080807	3.2 x 3.1 x 2.6	82 x 80 x 65	Enclosure, PC ▪ Opaque cover
PC 080809	UL PC 080809	3.2 x 3.1 x 3.3	82 x 80 x 85	Enclosure, PC ▪ Opaque cover
PC 080810	UL PC 080810	3.2 x 3.1 x 3.7	82 x 80 x 95	Enclosure, PC ▪ Opaque cover
PCT 080806	UL PCT 080806	3.2 x 3.1 x 2.2	82 x 80 x 55	Enclosure, PC ▪ Transparent cover
PCT 080807	UL PCT 080807	3.2 x 3.1 x 2.6	82 x 80 x 65	Enclosure, PC ▪ Transparent cover
PCT 080809	UL PCT 080809	3.2 x 3.1 x 3.3	82 x 80 x 85	Enclosure, PC ▪ Transparent cover
PCT 080810	UL PCT 080810	3.2 x 3.1 x 3.7	82 x 80 x 95	Enclosure, PC ▪ Transparent cover

Accessories

Order symbol	Dimensions inch	Dimensions mm	Description
TM 0808	2.2 x 2.8	56 x 71	Back Panel
TF 28037			Mounting foot kit (4 pcs) ▪ incl. screws
TH A			Gray plastic hinges (2 pcs) ▪ incl. mounting screws



EURONORD PC 0812

4.7 x 3.1

UL Type 1, 4, 4X, 12 and 13

Including: Base with hardware screws for accessory mounting, cover with PUR gasket and ferritic stainless steel cover screws.

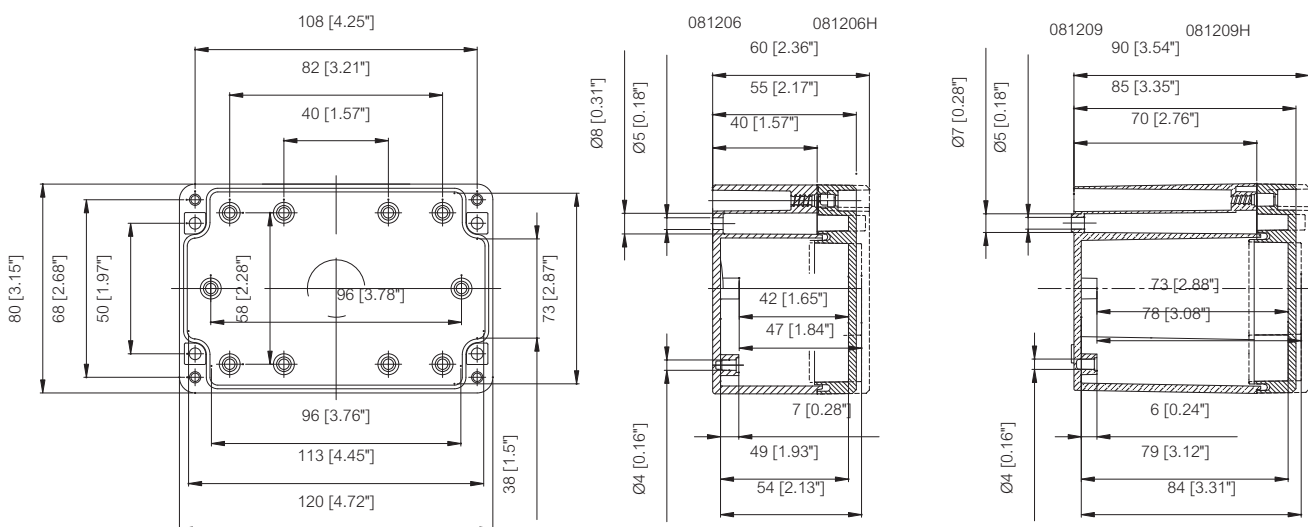


Enclosures

Order symbol	UL Order symbol	Dimensions inch	Dimensions mm	Description
PC 081206	UL PC 081206	4.7 x 3.1 x 2.2	120 x 80 x 55	Enclosure, PC ▪ Opaque cover
PC 081206H	UL PC 081206H	4.7 x 3.1 x 2.4	120 x 80 x 60	Enclosure, PC ▪ Opaque cover
PC 081209	UL PC 081209	4.7 x 3.1 x 3.3	120 x 80 x 85	Enclosure, PC ▪ Opaque cover
PC 081209H	UL PC 081209H	4.7 x 3.1 x 3.5	120 x 80 x 90	Enclosure, PC ▪ Opaque cover
PCT 081206	UL PCT 081206	4.7 x 3.1 x 2.2	120 x 80 x 55	Enclosure, PC ▪ Transparent cover
PCT 081206H	UL PCT 081206H	4.7 x 3.1 x 2.4	120 x 80 x 60	Enclosure, PC ▪ Transparent cover
PCT 081209	UL PCT 081209	4.7 x 3.1 x 3.3	120 x 80 x 85	Enclosure, PC ▪ Transparent cover
PCT 081209H	UL PCT 081209H	4.7 x 3.1 x 3.5	120 x 80 x 90	Enclosure, PC ▪ Transparent cover

Accessories

Order symbol	Dimensions inch	Dimensions mm	Description
TM 0812	2.8 x 3.7	71 x 94	Back Panel
ARH 12	1.4 x 4.1	35 x 105	DIN-35 Mounting rail
TF 28037			Mounting foot kit (4 pcs) ▪ incl. screws
TH A			Gray plastic hinges (2 pcs) ▪ incl. mounting screws





EURONORD PC 0816

6.3 x 3.1

UL Type 1, 4, 4X, 12 and 13

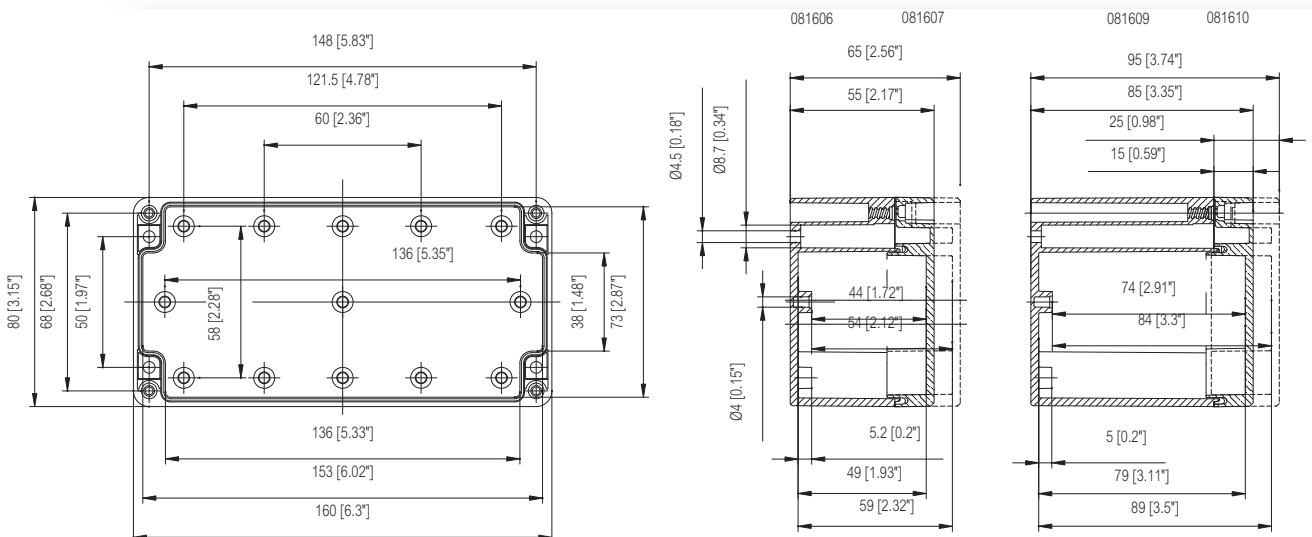
Including: Base with hardware screws for accessory mounting, cover with PUR gasket and ferritic stainless steel cover screws.

Enclosures

Order symbol	UL Order symbol	Dimensions inch	Dimensions mm	Description
PC 081606	UL PC 081606	6.3 x 3.1 x 2.2	160 x 80 x 55	Enclosure, PC • Opaque cover
PC 081607	UL PC 081607	6.3 x 3.1 x 2.6	160 x 80 x 65	Enclosure, PC • Opaque cover
PC 081609	UL PC 081609	6.3 x 3.1 x 3.3	160 x 80 x 85	Enclosure, PC • Opaque cover
PC 081610	UL PC 081610	6.3 x 3.1 x 3.7	160 x 80 x 95	Enclosure, PC • Opaque cover
PCT 081606	UL PCT 081606	6.3 x 3.1 x 2.2	160 x 80 x 55	Enclosure, PC • Transparent cover
PCT 081607	UL PCT 081607	6.3 x 3.1 x 2.6	160 x 80 x 65	Enclosure, PC • Transparent cover
PCT 081609	UL PCT 081609	6.3 x 3.1 x 3.3	160 x 80 x 85	Enclosure, PC • Transparent cover
PCT 081610	UL PCT 081610	6.3 x 3.1 x 3.7	160 x 80 x 95	Enclosure, PC • Transparent cover

Accessories

Order symbol	Dimensions inch	Dimensions mm	Description
TM 0816	2.8 x 5.3	71 x 134	Back Panel
TRH 1216	1.4 x 5.7	35 x 146	DIN-35 Mounting rail
TF 28037			Mounting foot kit (4 pcs) • incl. screws
TH A			Gray plastic hinges (2 pcs) • incl. mounting screws



EURONORD PC 1212

4.8 x 4.7

UL Type 1, 4, 4X, 12 and 13

Including: Base with hardware screws for accessory mounting, cover with PUR gasket and ferritic stainless steel cover screws.

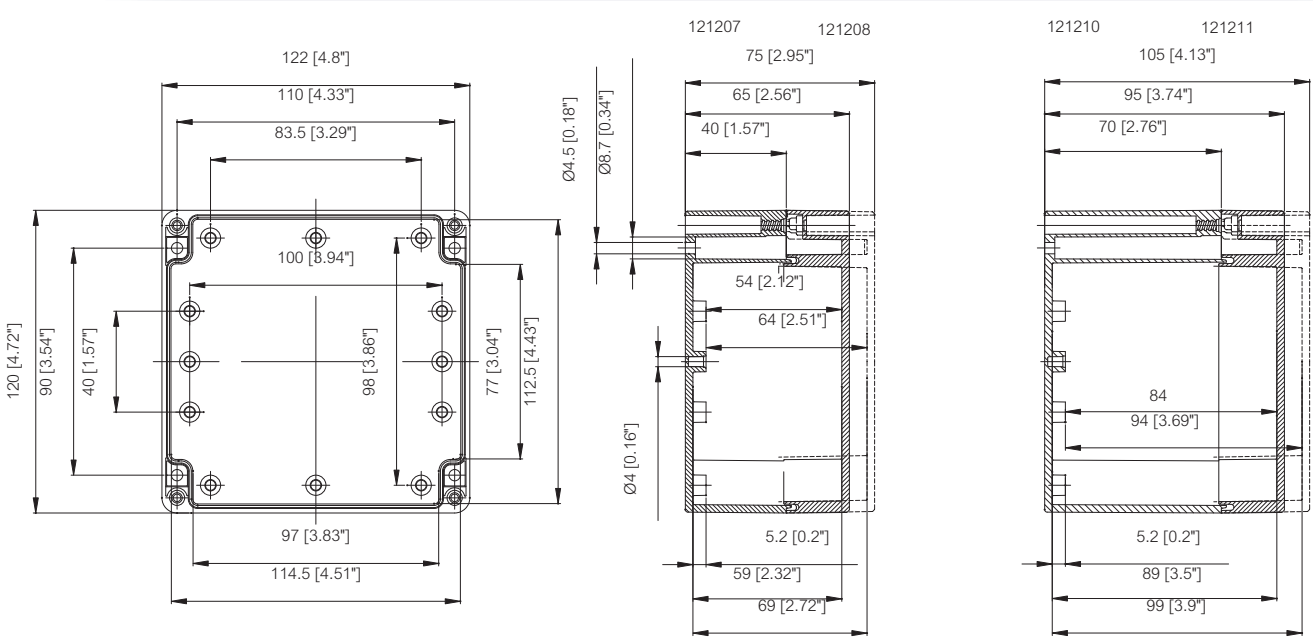


Enclosures

Order symbol	UL Order symbol	Dimensions inch	Dimensions mm	Description
PC 121207	UL PC 121207	4.8 x 4.7 x 2.6	122 x 120 x 65	Enclosure, PC ▪ Opaque cover
PC 121208	UL PC 121208	4.8 x 4.7 x 3	122 x 120 x 75	Enclosure, PC ▪ Opaque cover
PC 121210	UL PC 121210	4.8 x 4.7 x 3.7	122 x 120 x 95	Enclosure, PC ▪ Opaque cover
PC 121211	UL PC 121211	4.8 x 4.7 x 4.1	122 x 120 x 105	Enclosure, PC ▪ Opaque cover
PCT 121207	UL PCT 121207	4.8 x 4.7 x 2.6	122 x 120 x 65	Enclosure, PC ▪ Transparent cover
PCT 121208	UL PCT 121208	4.8 x 4.7 x 3	122 x 120 x 75	Enclosure, PC ▪ Transparent cover
PCT 121210	UL PCT 121210	4.8 x 4.7 x 3.7	122 x 120 x 95	Enclosure, PC ▪ Transparent cover
PCT 121211	UL PCT 121211	4.8 x 4.7 x 4.1	122 x 120 x 105	Enclosure, PC ▪ Transparent cover

Accessories

Order symbol	Dimensions inch	Dimensions mm	Description
TM 1212	3.8 x 4.4	96 x 111	Back Panel
TRH 1212	1.4 x 4.3	35 x 110	DIN-35 Mounting rail
TF 28037			Mounting foot kit (4 pcs) ▪ incl. screws
TH A			Gray plastic hinges (2 pcs) ▪ incl. mounting screws





EUONORD PC 1216

6.3 x 4.7

UL Type 1, 4, 4X, 12 and 13

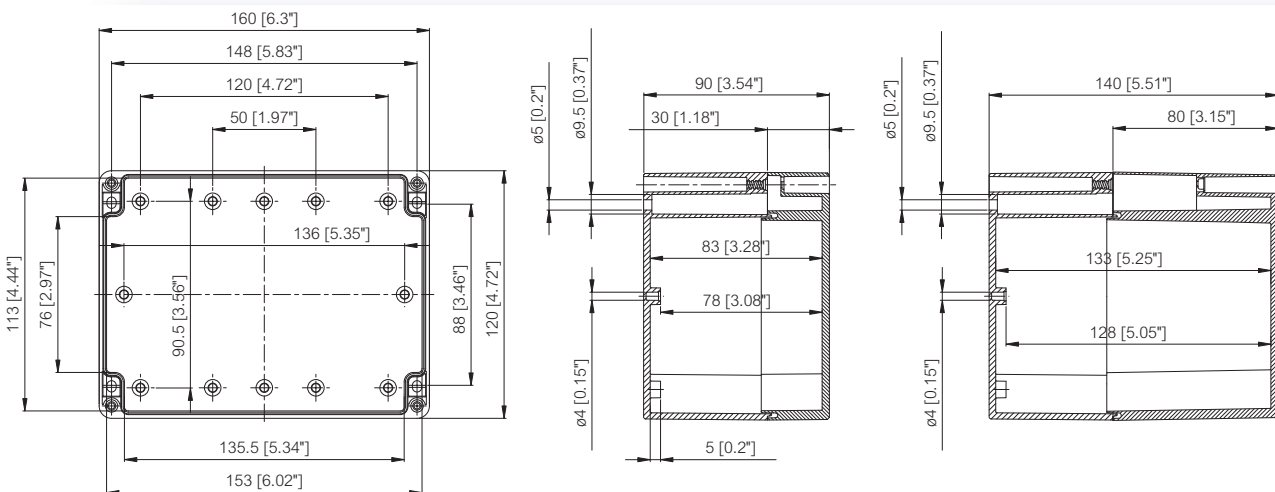
Including: Base with hardware screws for accessory mounting, cover with PUR gasket and ferritic stainless steel cover screws.

Enclosures

Order symbol	UL Order symbol	Dimensions inch	Dimensions mm	Description
PC 121609	UL PC 121609	6.3 x 4.7 x 3.5	160 x 120 x 90	Enclosure, PC • Opaque cover
PC 121614	UL PC 121614	6.3 x 4.7 x 5.5	160 x 120 x 140	Enclosure, PC • Opaque cover
PCT 121609	UL PCT 121609	6.3 x 4.7 x 3.5	160 x 120 x 90	Enclosure, PC • Transparent cover
PCT 121614	UL PCT 121614	6.3 x 4.7 x 5.5	160 x 120 x 140	Enclosure, PC • Transparent cover

Accessories

Order symbol	Dimensions inch	Dimensions mm	Description
TM 1216	4.4 x 5.3	111 x 134	Back Panel
MIV 10	1.4 x 3.9	35 x 100	DIN-35 Mounting rail
TRH 1216	1.4 x 5.7	35 x 146	DIN-35 Mounting rail
TF 28037			Mounting foot kit (4 pcs) • incl. screws
TH A			Gray plastic hinges (2 pcs) • incl. mounting screws



EURONORD PC 1220

7.9 x 4.7

UL Type 1, 4, 4X, 12 and 13

Including: Base with hardware screws for accessory mounting, cover with PUR gasket and ferritic stainless steel cover screws.

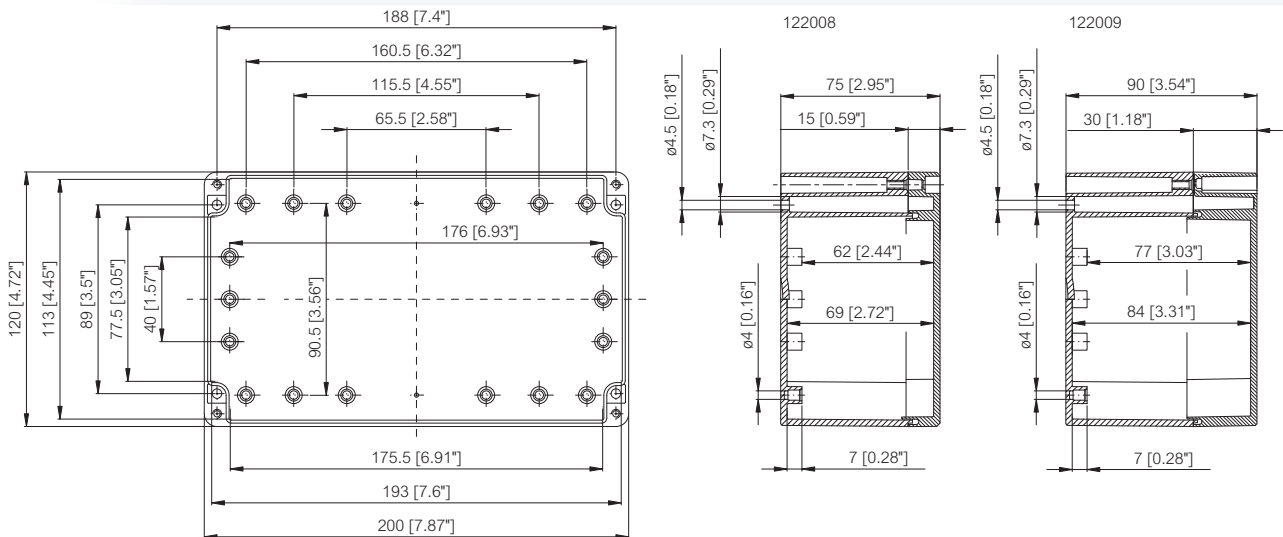


Enclosures

Order symbol	UL Order symbol	Dimensions inch	Dimensions mm	Description
PC 122008	UL PC 122008	7.9 x 4.7 x 3	200 x 120 x 75	Enclosure, PC ▪ Opaque cover
PC 122009	UL PC 122009	7.9 x 4.7 x 3.5	200 x 120 x 90	Enclosure, PC ▪ Opaque cover
PCT 122008	UL PCT 122008	7.9 x 4.7 x 3	200 x 120 x 75	Enclosure, PC ▪ Transparent cover
PCT 122009	UL PCT 122009	7.9 x 4.7 x 3.5	200 x 120 x 90	Enclosure, PC ▪ Transparent cover

Accessories

Order symbol	Dimensions inch	Dimensions mm	Description
TM 1220	4.4 x 6.9	111 x 174	Back Panel
MIV 10	1.4 x 3.9	35 x 100	DIN-35 Mounting rail
TRH 1220	1.4 x 7.3	35 x 186	DIN-35 Mounting rail
TF 28037			Mounting foot kit (4 pcs) ▪ incl. screws
TH A			Gray plastic hinges (2 pcs) ▪ incl. mounting screws





EUONORD PC 1224

9.6 x 4.9

UL Type 1, 4, 4X, 12 and 13

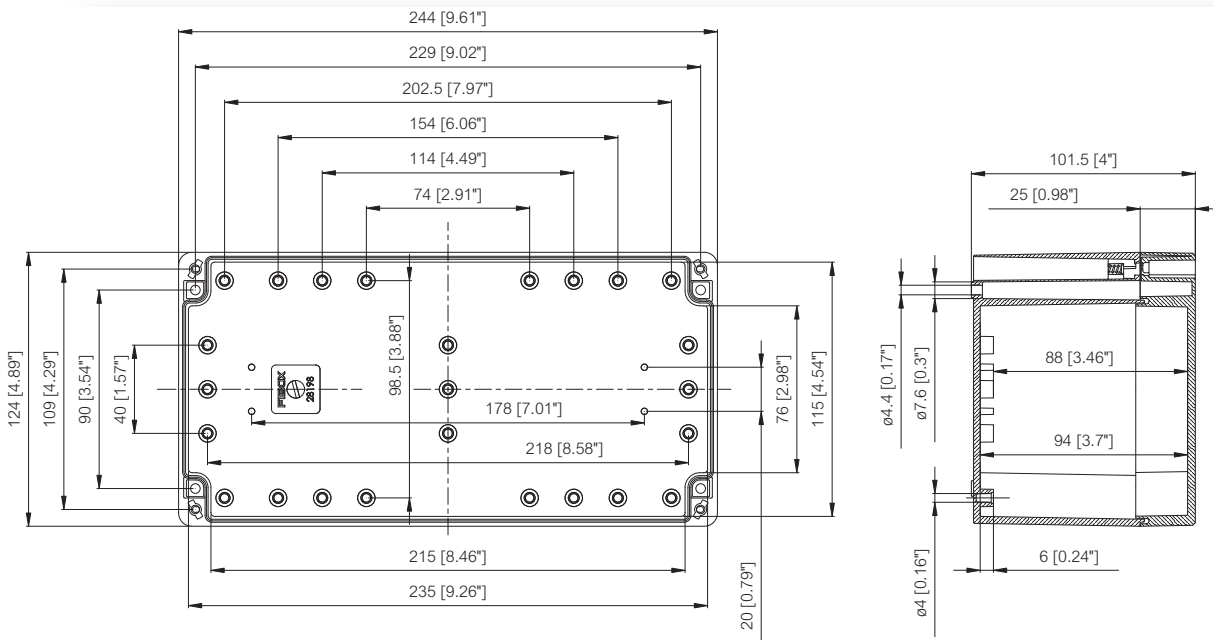
Including: Base with hardware screws for accessory mounting, cover with PUR gasket and ferritic stainless steel cover screws.

Enclosures

Order symbol	UL Order symbol	Dimensions inch	Dimensions mm	Description
PC 122410	UL PC 122410	9.6 x 4.9 x 4	244 x 124 x 102	Enclosure, PC • Opaque cover
PCT 122410	UL PCT 122410	9.6 x 4.9 x 4	244 x 124 x 102	Enclosure, PC • Transparent cover

Accessories

Order symbol	Dimensions inch	Dimensions mm	Description
TM 1224	8.4 x 4.4	214 x 111	Back Panel
TRH 1212	1.4 x 4.3	35 x 110	DIN-35 Mounting rail
TRH 24	1.4 x 8.9	35 x 226	DIN-35 Mounting rail
TF 28037			Mounting foot kit (4 pcs) • incl. screws
TH A			Gray plastic hinges (2 pcs) • incl. mounting screws



EURONORD PC 1520

7.9 x 5.9

UL Type 1, 4, 4X, 12 and 13

Including: Base with hardware screws for accessory mounting, cover with PUR gasket and ferritic stainless steel cover screws.

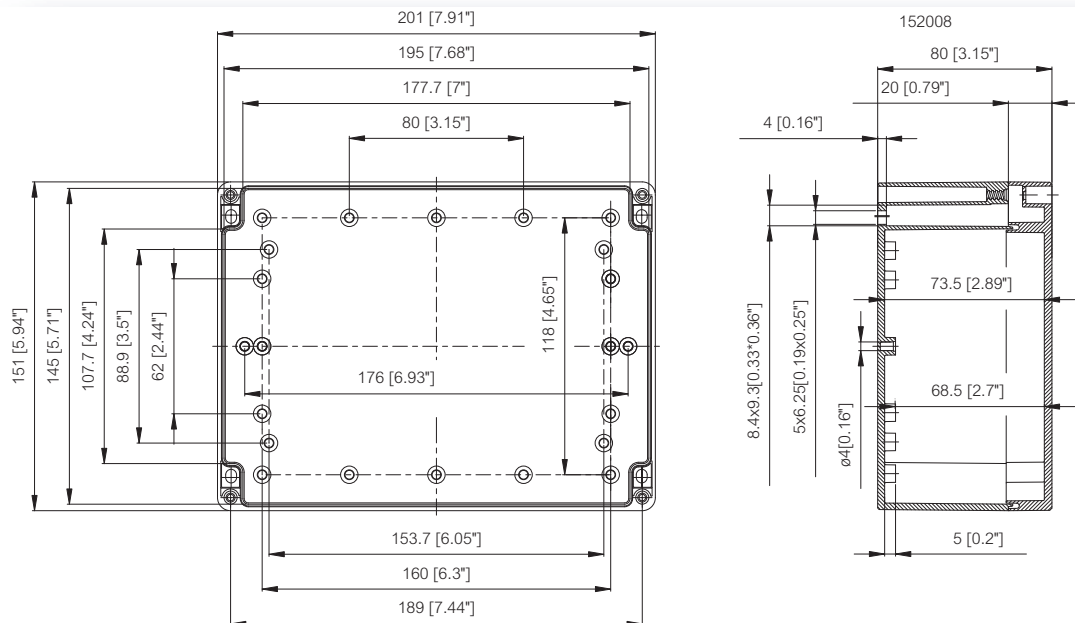


Enclosures

Order symbol	UL Order symbol	Dimensions inch	Dimensions mm	Description
PC 152008	UL PC 152008	7.9 x 5.9 x 3.1	201 x 151 x 80	Enclosure, PC ▪ Opaque cover
PCT 152008	UL PCT 152008	7.9 x 5.9 x 3.1	201 x 151 x 80	Enclosure, PC ▪ Transparent cover

Accessories

Order symbol	Dimensions inch	Dimensions mm	Description
TM 1520	5.6 x 6.9	141 x 174	Back Panel
TRH 1220	1.4 x 7.3	35 x 186	DIN-35 Mounting rail
TF 28037			Mounting foot kit (4 pcs) ▪ incl. screws
TH A			Gray plastic hinges (2 pcs) ▪ incl. mounting screws





EUONORD PC 1534

13.4 x 5.9

UL Type 1, 4, 4X, 12 and 13

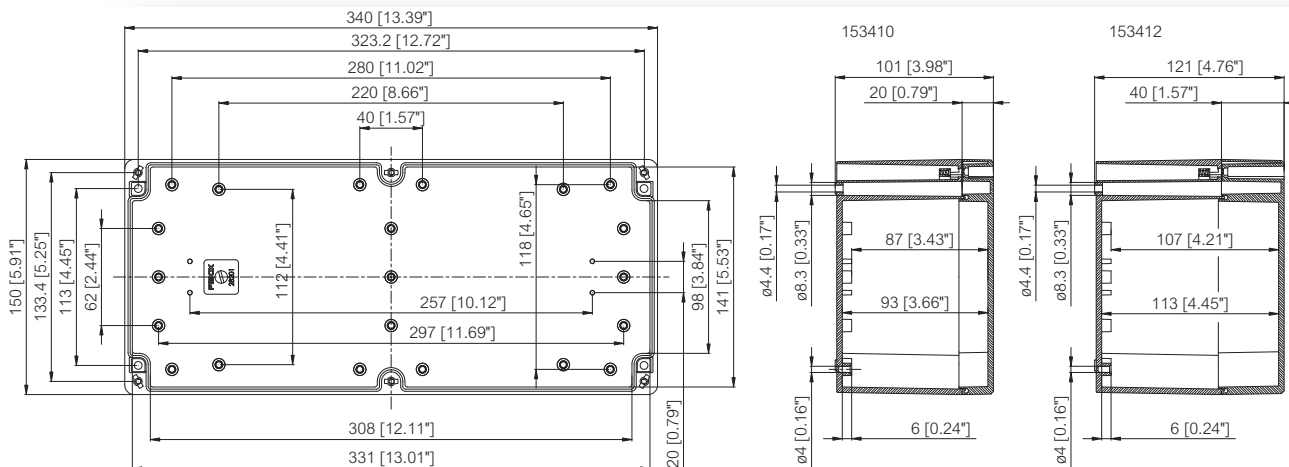
Including: Base with hardware screws for accessory mounting, cover with PUR gasket and ferritic stainless steel cover screws.

Enclosures

Order symbol	UL Order symbol	Dimensions inch	Dimensions mm	Description
PC 153410	UL PC 153410	13.4 x 5.9 x 4	340 x 150 x 101	Enclosure, PC • Opaque cover
PC 153412	UL PC 153412	13.4 x 5.9 x 4.8	340 x 150 x 121	Enclosure, PC • Opaque cover
PCT 153410	UL PCT 153410	13.4 x 5.9 x 4	340 x 150 x 101	Enclosure, PC • Transparent cover
PCT 153412	UL PCT 153412	13.4 x 5.9 x 4.8	340 x 150 x 121	Enclosure, PC • Transparent cover

Accessories

Order symbol	Dimensions inch	Dimensions mm	Description
TM 1534	11.9 x 5.4	303 x 136	Back Panel
TRH 34	1.4 x 12.1	35 x 307	DIN-35 Mounting rail
TRH 15	1.4 x 4.8	35 x 122	DIN-35 Mounting rail
TF 28037			Mounting foot kit (4 pcs) • incl. screws
TH A			Gray plastic hinges (2 pcs) • incl. mounting screws



EURONORD

PC 1624

9.6 x 6.5

UL Type 1, 4, 4X, 12 and 13



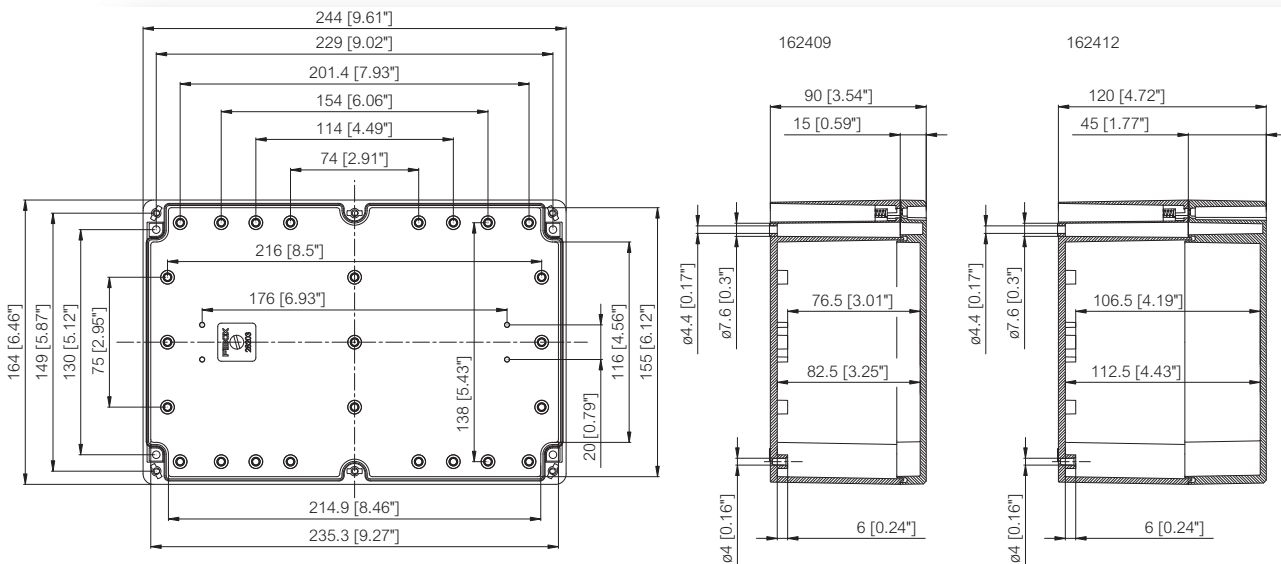
Including: Base with hardware screws for accessory mounting, cover with PUR gasket and ferritic stainless steel cover screws.

Enclosures

Order symbol	UL Order symbol	Dimensions inch	Dimensions mm	Description
PC 162409	UL PC 162409	9.6 x 6.5 x 3.5	244 x 164 x 90	Enclosure, PC ▪ Opaque cover
PC 162412	UL PC 162412	9.6 x 6.5 x 4.7	244 x 164 x 120	Enclosure, PC ▪ Opaque cover
PCT 162409	UL PCT 162409	9.6 x 6.5 x 3.5	244 x 164 x 90	Enclosure, PC ▪ Transparent cover
PCT 162412	UL PCT 162412	9.6 x 6.5 x 4.7	244 x 164 x 120	Enclosure, PC ▪ Transparent cover

Accessories

Order symbol	Dimensions inch	Dimensions mm	Description
TM 1624	8.3 x 5.9	212 x 151	Back Panel
TRH 24	1.4 x 8.9	35 x 226	DIN-35 Mounting rail
TF 28037			Mounting foot kit (4 pcs) ▪ incl. screws
TH A			Gray plastic hinges (2 pcs) ▪ incl. mounting screws





EUONORD PC 1625

9.8 x 6.3

UL Type 1, 4, 4X, 12 and 13

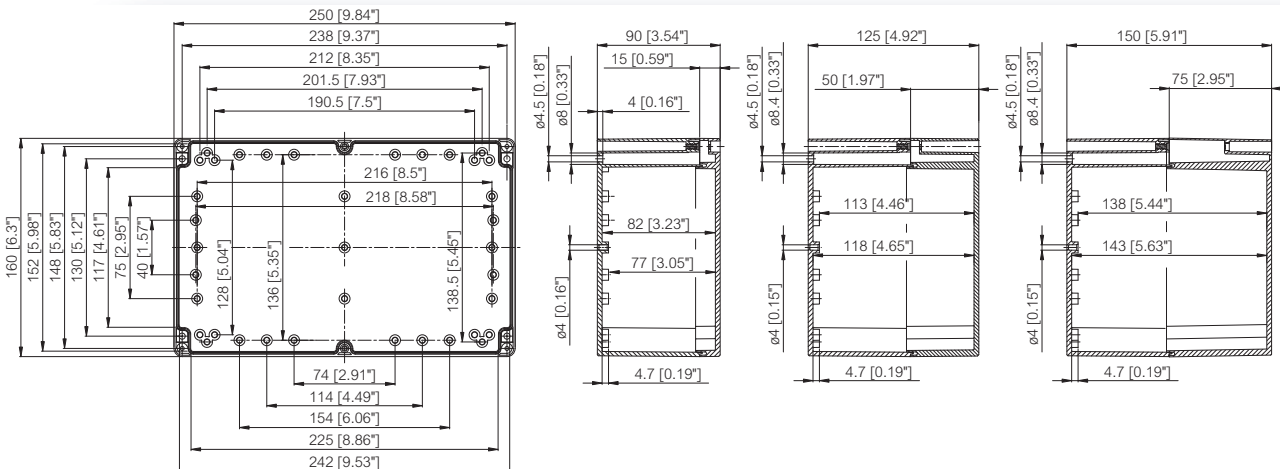
Including: Base with hardware screws for accessory mounting, cover with PUR gasket and ferritic stainless steel cover screws.

Enclosures

Order symbol	UL Order symbol	Dimensions inch	Dimensions mm	Description
PC 162509	UL PC 162509	9.8 x 6.3 x 3.5	250 x 160 x 90	Enclosure, PC • Opaque cover
PC 162513	UL PC 162513	9.8 x 6.3 x 4.9	250 x 160 x 125	Enclosure, PC • Opaque cover
PC 162515	UL PC 162515	9.8 x 6.3 x 5.9	250 x 160 x 150	Enclosure, PC • Opaque cover
PCT 162509	UL PCT 162509	9.8 x 6.3 x 3.5	250 x 160 x 90	Enclosure, PC • Transparent cover
PCT 162513	UL PCT 162513	9.8 x 6.3 x 4.9	250 x 160 x 125	Enclosure, PC • Transparent cover
PCT 162515	UL PCT 162515	9.8 x 6.3 x 5.9	250 x 160 x 150	Enclosure, PC • Transparent cover

Accessories

Order symbol	Dimensions inch	Dimensions mm	Description
TM 1625	5.9 x 8.8	151 x 224	Back Panel
TRH 1216	1.4 x 5.7	35 x 146	DIN-35 Mounting rail
TRH 24	1.4 x 8.9	35 x 226	DIN-35 Mounting rail
TF 28037			Mounting foot kit (4 pcs) • incl. screws
TH A			Gray plastic hinges (2 pcs) • incl. mounting screws



EURONORD PC 1636

14.2 x 6.3

UL Type 1, 4, 4X, 12 and 13



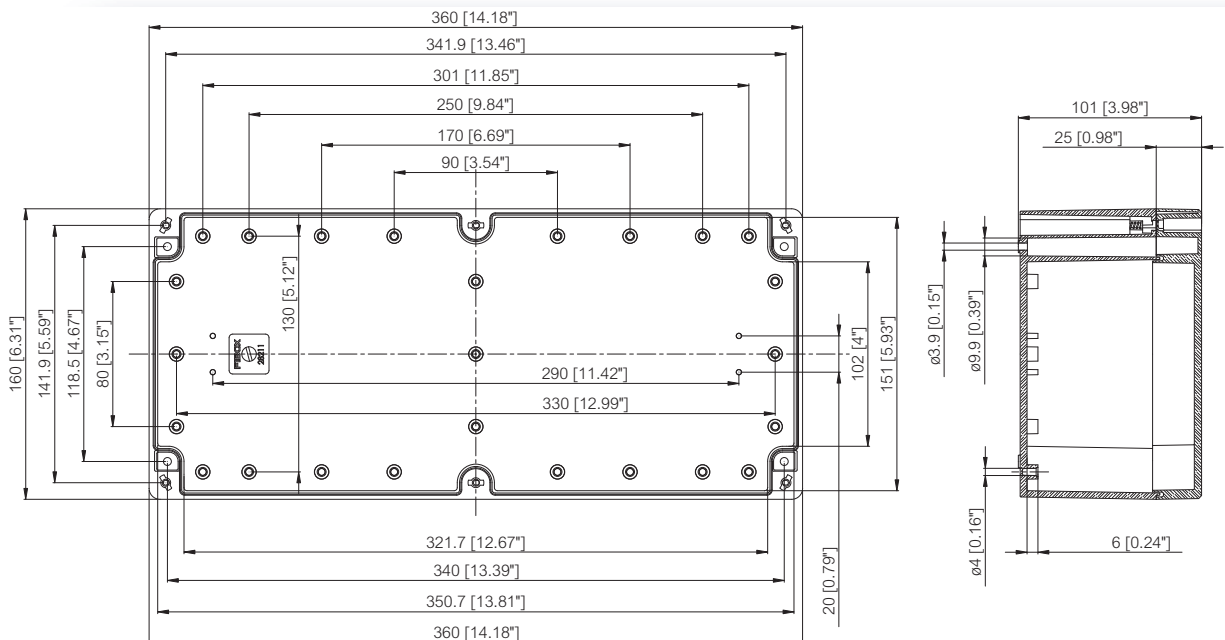
Including: Base with hardware screws for accessory mounting, cover with PUR gasket and ferritic stainless steel cover screws.

Enclosures

Order symbol	UL Order symbol	Dimensions inch	Dimensions mm	Description
PC 163610	UL PC 163610	14.2 x 6.3 x 4	360 x 160 x 101	Enclosure, PC ▪ Opaque cover
PCT 163610	UL PCT 163610	14.2 x 6.3 x 4	360 x 160 x 101	Enclosure, PC ▪ Transparent cover

Accessories

Order symbol	Dimensions inch	Dimensions mm	Description
TM 1636	12.5 x 5.7	318 x 146	Back Panel
DH-3	1.4 x 5.5	35 x 140	DIN-35 Mounting rail
TRH 2036	1.4 x 13.4	35 x 340	DIN-35 Mounting rail
TF 28037			Mounting foot kit (4 pcs) ▪ incl. screws
TH A			Gray plastic hinges (2 pcs) ▪ incl. mounting screws





EURONORD PC 2036

14.2 x 7.9

UL Type 1, 4, 4X, 12 and 13

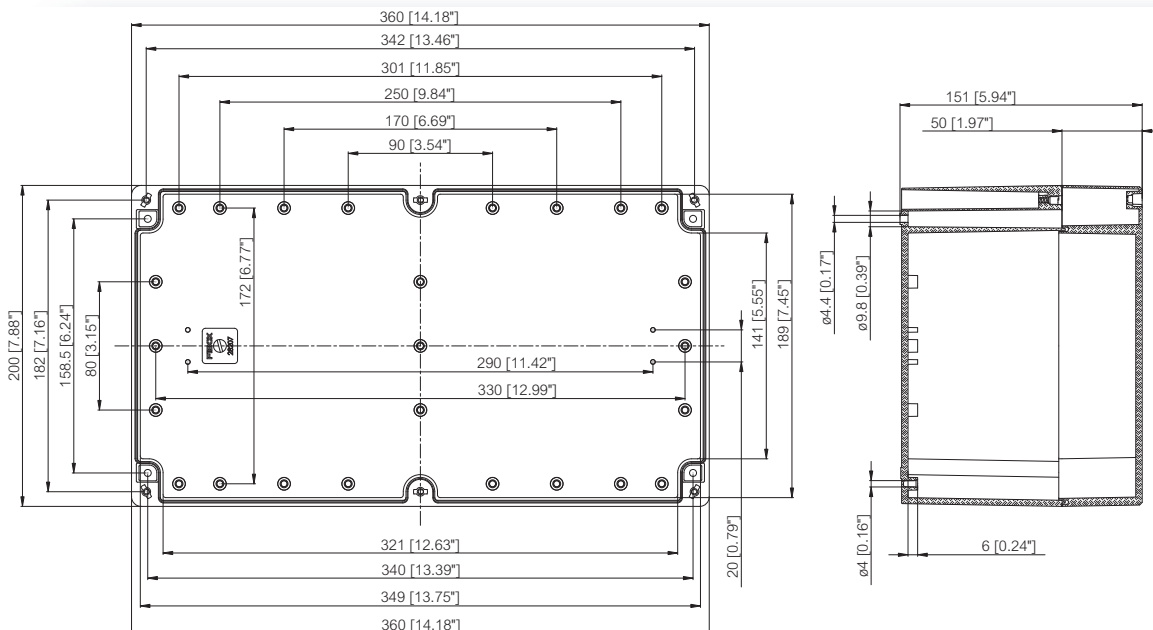
Including: Base with hardware screws for accessory mounting, cover with PUR gasket and ferritic stainless steel cover screws.

Enclosures

Order symbol	UL Order symbol	Dimensions inch	Dimensions mm	Description
PC 203615	UL PC 203615	14.2 x 7.9 x 5.9	360 x 200 x 151	Enclosure, PC • Opaque cover
PCT 203615	UL PCT 203615	14.2 x 7.9 x 5.9	360 x 200 x 151	Enclosure, PC • Transparent cover

Accessories

Order symbol	Dimensions inch	Dimensions mm	Description
TM 2036	12.5 x 7.3	318 x 186	Back Panel
TRH 2036	1.4 x 13.4	35 x 340	DIN-35 Mounting rail
TF 28037			Mounting foot kit (4 pcs) • incl. screws
TH A			Gray plastic hinges (2 pcs) • incl. mounting screws



EURONORD PC 2330

11.8 x 9.1

UL Type 1, 4, 4X, 12 and 13

Including: Base with hardware screws for accessory mounting, cover with PUR gasket and ferritic stainless steel cover screws.

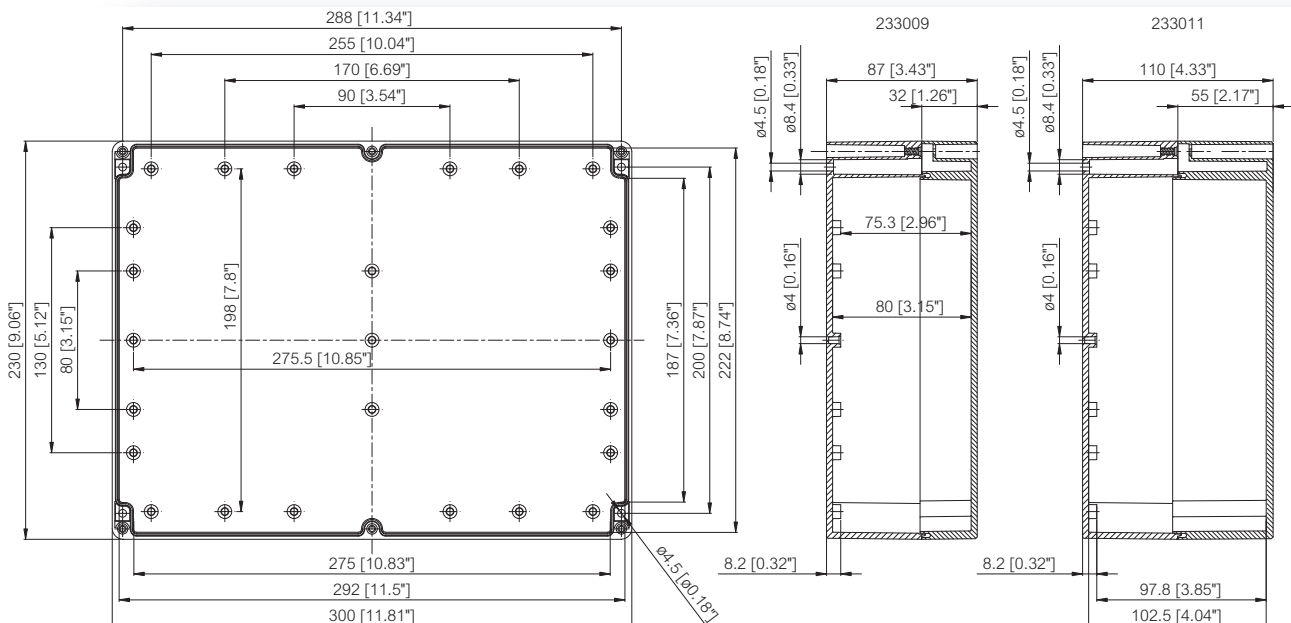


Enclosures

Order symbol	UL Order symbol	Dimensions inch	Dimensions mm	Description
PC 233009	UL PC 233009	11.8 x 9.1 x 3.4	300 x 230 x 87	Enclosure, PC ▪ Opaque cover
PC 233011	UL PC 233011	11.8 x 9.1 x 4.3	300 x 230 x 110	Enclosure, PC ▪ Opaque cover
PCT 233009	UL PCT 233009	11.8 x 9.1 x 3.4	300 x 230 x 87	Enclosure, PC ▪ Transparent cover
PCT 233011	UL PCT 233011	11.8 x 9.1 x 4.3	300 x 230 x 110	Enclosure, PC ▪ Transparent cover

Accessories

Order symbol	Dimensions inch	Dimensions mm	Description
TM 2330	8.7 x 10.8	221 x 274	Back Panel
TRH 1216	1.4 x 5.7	35 x 146	DIN-35 Mounting rail
TRH 2330	1.4 x 11.2	35 x 285	DIN-35 Mounting rail
TF 28037			Mounting foot kit (4 pcs) ▪ incl. screws
TH A			Gray plastic hinges (2 pcs) ▪ incl. mounting screws



PC ACCESSORIES

Order symbol Description

Back Panels (Galvanized steel, sheet thickness 1,5 mm)

TM 0505	1 x 1.7 inch ▪ 26 x 44 mm
TM 0507	1 x 2.2 inch ▪ 26 x 57 mm
TM 0808	2.2 x 2.8 inch ▪ 56 x 71 mm
TM 0812	2.8 x 3.7 inch ▪ 71 x 94 mm
TM 0816	2.8 x 5.3 inch ▪ 71 x 134 mm
TM 1212	3.8 x 4.4 inch ▪ 96 x 111 mm
TM 1216	4.4 x 5.3 inch ▪ 111 x 134 mm
TM 1220	4.4 x 6.9 inch ▪ 111 x 174 mm
TM 1224	8.4 x 4.4 inch ▪ 214 x 111 mm
TM 1520	5.6 x 6.9 inch ▪ 141 x 174 mm
TM 1534	11.9 x 5.4 inch ▪ 303 x 136 mm
TM 1624	8.3 x 5.9 inch ▪ 212 x 151 mm
TM 1625	5.9 x 8.8 inch ▪ 151 x 224 mm
TM 1636	12.5 x 5.7 inch ▪ 318 x 146 mm
TM 2036	12.5 x 7.3 inch ▪ 318 x 186 mm
TM 2330	8.7 x 10.8 inch ▪ 221 x 274 mm
TM 3640	15.1 x 12.4 inch ▪ 383 x 315 mm



DIN-35 Mounting rails (Galvanized steel, rail height 7,5 mm)

MIV 10	1.4 x 3.9 inch ▪ 35 x 100 mm
ARH 12	1.4 x 4.1 inch ▪ 35 x 105 mm
TRH 1212	1.4 x 4.3 inch ▪ 35 x 110 mm
TRH 15	1.4 x 4.8 inch ▪ 35 x 122 mm
DH-3	1.4 x 5.5 inch ▪ 35 x 140 mm
TRH 1216	1.4 x 5.7 inch ▪ 35 x 146 mm
TRH 1220	1.4 x 7.3 inch ▪ 35 x 186 mm
TRH 1520	1.4 x 6.7 inch ▪ 35 x 170 mm
TRH 24	1.4 x 8.9 inch ▪ 35 x 226 mm
TRH 2330	1.4 x 11.2 inch ▪ 35 x 285 mm
TRH 34	1.4 x 12.1 inch ▪ 35 x 307 mm
TRH 2036	1.4 x 13.4 inch ▪ 35 x 340 mm
TRH 40	1.4 x 15 inch ▪ 35 x 380 mm



Hinges and wall mounting

TH A	Gray plastic hinges (2 pcs) ▪ incl. mounting screws
TF 28037	Mounting foot kit (4 pcs) ▪ incl. screws



Cover screws

MR 28005EU	Cover screw
MRS 38036	Cover screw kit ▪ 2xMR 28005EU+2xMR 28036
MRS 38005	Cover screw kit ▪ 4xMR 28005EU+4xMR 28036
MRS 38217	4 x Long threaded screws



Mounting screws and other accessories

MR 28036EU	Mounting screw
MRS 48036	4 x mounting screws
MRS 28084 SET	Brass insert kit (4 pcs, M3)
MB 28018	Decoration plug
SB 28088	Sealing bush



EURONORD PC

technical information

Property	Polycarbonate (PC)
Ingress Protection (EN 60529)	IP 66/IP 67
Impact Resistance (EN 62262)	IK 07 (side surface) IK 08 (front surface)
Temperature Range Celsius (short term) Fahrenheit	-40° . . 120°C -40° . . 250°F
Temperature Range Celsius (continuous) Fahrenheit	-40° . . 80°C -40° . . 175°F
Electrical Insulation	Totally insulated ☐
Light Gray Parts Color	RAL 7035 Industry Gray
Transparent Clear PC Cover	Clear transparent
Cover Screws	Ferritic Stainless Steel
Gasket	PUR
Enclosure Flammability Rating	Complies with UL 508
Glow Wire Test (IEC 695-2-1) Self-extinguishing (PC)	960°C
Non-toxicity	Halogen Free
UV resistance	Complies with UL 508
Chemical Resistance *	Good

Conformity to standards

USA Enclosures for Electrical Equipment
UL Type 1, 4, 4X, 12 and 13; UL File E75645

Canada Industrial Control Equipment
Enclosures for Electrical Equipment/cUL

Europe Empty enclosures for low-voltage switchgear and
controlgear assemblies EN 62208:2003 (50298:1998)

Europe Safety of Information Technology Equipment
EN 60950
RoHS directive 2002/95/EC

Russia GostR - Gost Russian certificate of conformity

Data subject to change without notice.

*Consult separate raw material data for more detailed information



EURONORD P 0808

3.1 x 3.0

NEMA 1, 4, 4X, 12 and 13

Including: Base, cover with EPDM gasket and stainless steel cover screws.

Enclosures

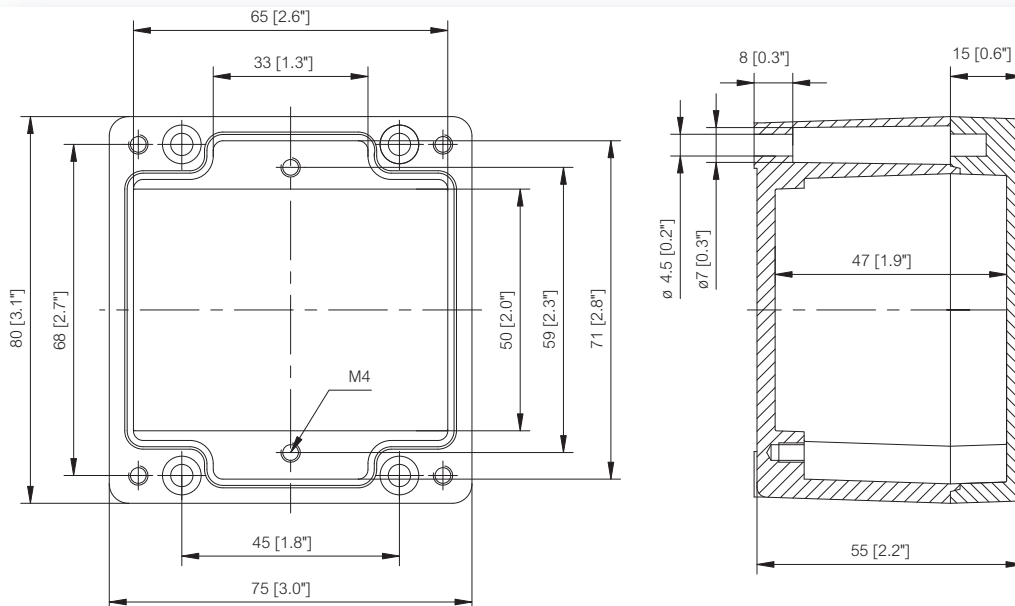
Order symbol	Dimensions inch	Dimensions mm	Description
--------------	-----------------	---------------	-------------

P 080806	3.1 x 3 x 2.2	80 x 75 x 55	Fiberglass enclosure
----------	---------------	--------------	----------------------

Accessories

Order symbol	Dimensions inch	Dimensions mm	Description
--------------	-----------------	---------------	-------------

PM 0808	2.5 x 2.7	64 x 69	Back Panel
MRS 28540	0.4 x 1.7	11 x 42	Mounting foot kit (2 pcs) • incl. screws



EURONORD P 0811

4.3 x 3.0

NEMA 1, 4, 4X, 12 and 13



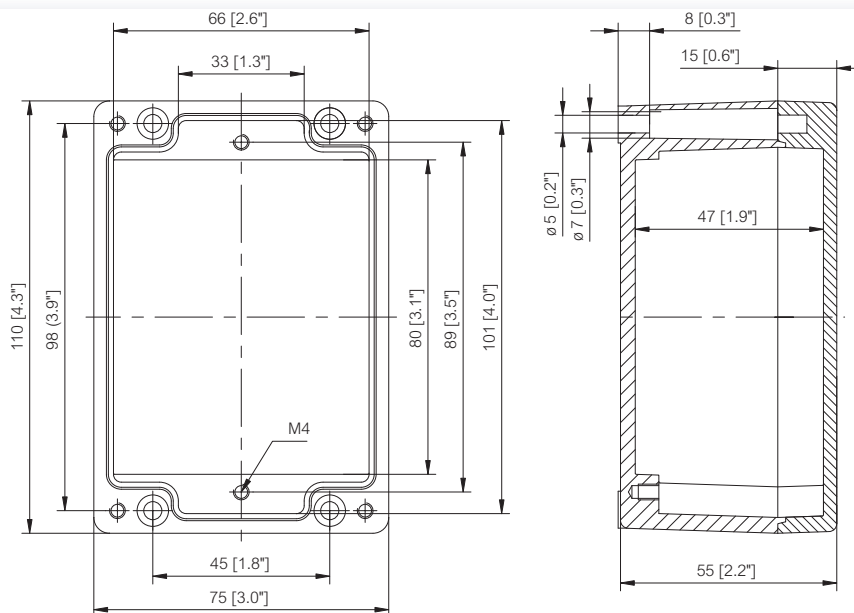
Including: Base, cover with EPDM gasket and stainless steel cover screws.

Enclosures

Order symbol	Dimensions inch	Dimensions mm	Description
P 081106	4.3 x 3 x 2.2	110 x 75 x 55	Fiberglass enclosure

Accessories

Order symbol	Dimensions inch	Dimensions mm	Description
PM 0811	2.5 x 3.9	64 x 99	Back Panel
MRS 28540	0.4 x 1.7	11 x 42	Mounting foot kit (2 pcs) • incl. screws





EURONORD P 0816

6.3 x 3.0

NEMA 1, 4, 4X, 12 and 13

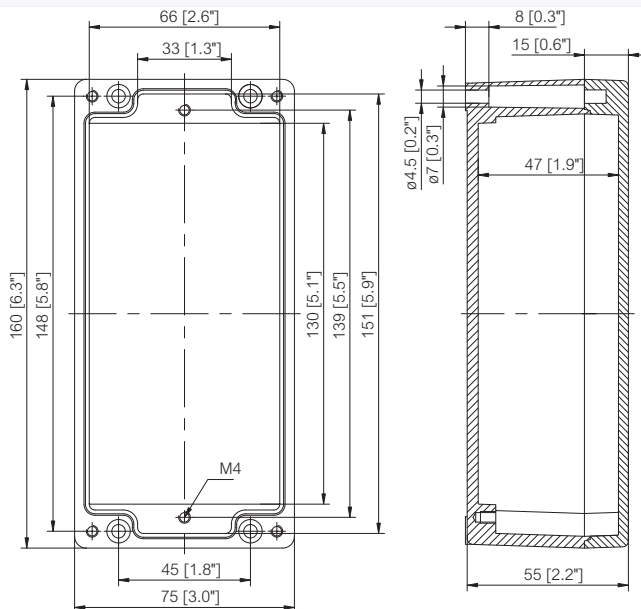
Including: Base, cover with EPDM gasket and stainless steel cover screws.

Enclosures

Order symbol	Dimensions inch	Dimensions mm	Description
P 081606	6.3 x 3 x 2.2	160 x 75 x 55	Fiberglass enclosure

Accessories

Order symbol	Dimensions inch	Dimensions mm	Description
PM 0816	2.5 x 5.9	64 x 149	Back Panel
TRH 1216	1.4 x 5.7	35 x 146	DIN-35 Mounting rail
MRS 28540	0.4 x 1.7	11 x 42	Mounting foot kit (2 pcs) • incl. screws



EURONORD P 0819

7.5 x 3.0

NEMA 1, 4, 4X, 12 and 13



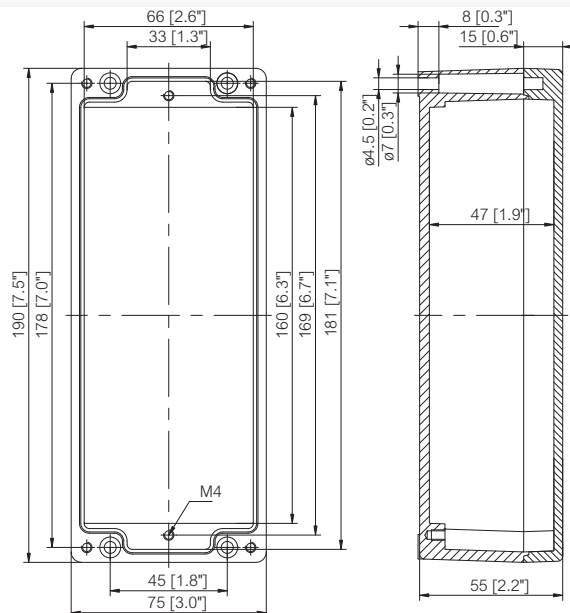
Including: Base, cover with EPDM gasket and stainless steel cover screws.

Enclosures

Order symbol	Dimensions inch	Dimensions mm	Description
P 081906	7.5 x 3 x 2.2	190 x 75 x 55	Fiberglass enclosure

Accessories

Order symbol	Dimensions inch	Dimensions mm	Description
PM 0819	2.5 x 7	64 x 179	Back Panel
MRS 28540	0.4 x 1.7	11 x 42	Mounting foot kit (2 pcs) • incl. screws





EURONORD P 1212

4.8 x 4.7

NEMA 1, 4, 4X, 12 and 13

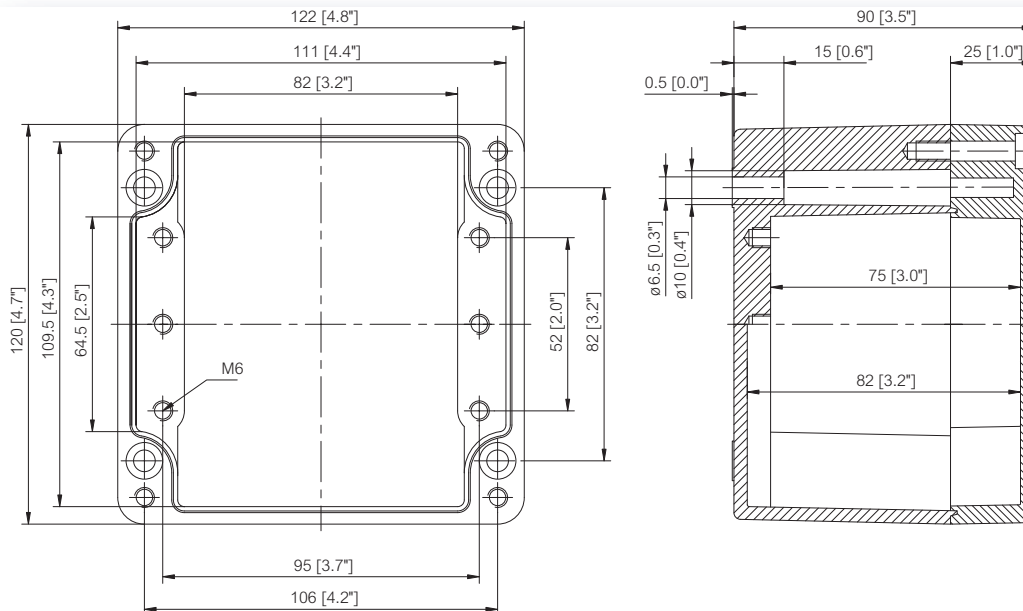
Including: Base, cover with EPDM gasket and stainless steel cover screws.

Enclosures

Order symbol	Dimensions inch	Dimensions mm	Description
P 121209	4.8 x 4.7 x 3.5	122 x 120 x 90	Fiberglass enclosure

Accessories

Order symbol	Dimensions inch	Dimensions mm	Description
AM 1212	4.2 x 4.3	107 x 110	Back Panel
ARH 12	1.4 x 4.1	35 x 105	DIN-35 Mounting rail
MRS 28541	0.6 x 2	15 x 50	Mounting foot kit (2 pcs) • incl. screws
PH A & AH A/B			Hinge kit • 1 pair includes screws



EURONORD P 1222

8.7 x 4.7

NEMA 1, 4, 4X, 12 and 13



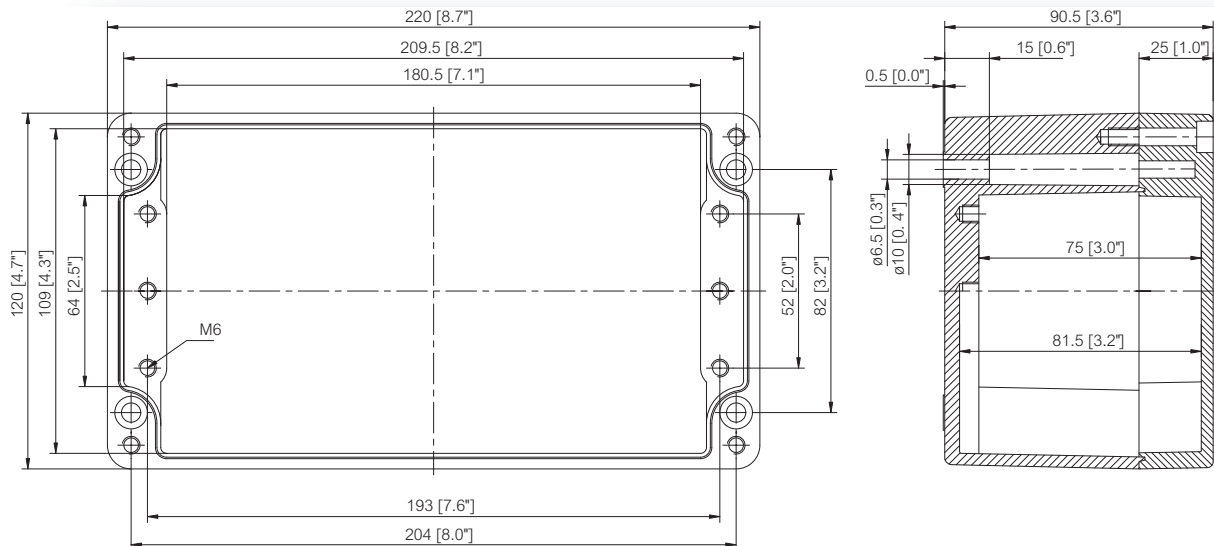
Including: Base, cover with EPDM gasket and stainless steel cover screws.

Enclosures

Order symbol	Dimensions inch	Dimensions mm	Description
P 122209	8.7 x 4.7 x 3.5	220 x 120 x 90	Fiberglass enclosure

Accessories

Order symbol	Dimensions inch	Dimensions mm	Description
AM 1222	4.2 x 8.1	107 x 207	Back Panel
ARH 22	1.4 x 8	35 x 203	DIN-35 Mounting rail
MRS 28541	0.6 x 2	15 x 50	Mounting foot kit (2 pcs) • incl. screws
PH A & AH A/B			Hinge kit • 1 pair includes screws





EUONORD P 1616

6.3 x 6.3

NEMA 1, 4, 4X, 12 and 13

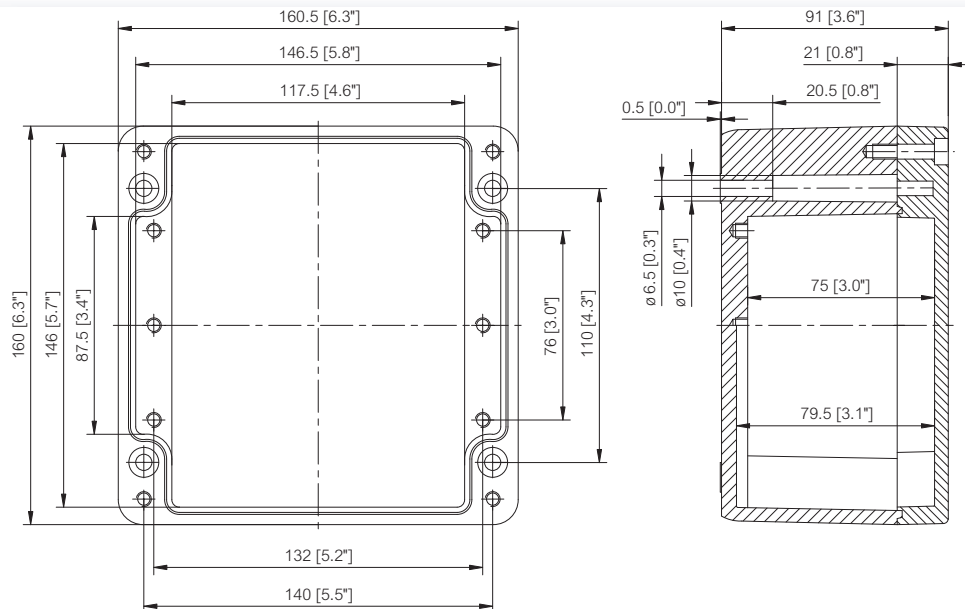
Including: Base, cover with EPDM gasket and stainless steel cover screws.

Enclosures

Order symbol	Dimensions inch	Dimensions mm	Description
P 161609	6.3 x 6.3 x 3.6	160 x 160 x 91	Fiberglass enclosure

Accessories

Order symbol	Dimensions inch	Dimensions mm	Description
PM 1616	5.7 x 5.7	146 x 146	Back Panel
ARH 16	1.4 x 5.5	35 x 140	DIN-35 Mounting rail
MRS 28541	0.6 x 2	15 x 50	Mounting foot kit (2 pcs) • incl. screws
PH A & AH A/B			Hinge kit • 1 pair includes screws



EURONORD P 1626

10.2 x 6.3

NEMA 1, 4, 4X, 12 and 13



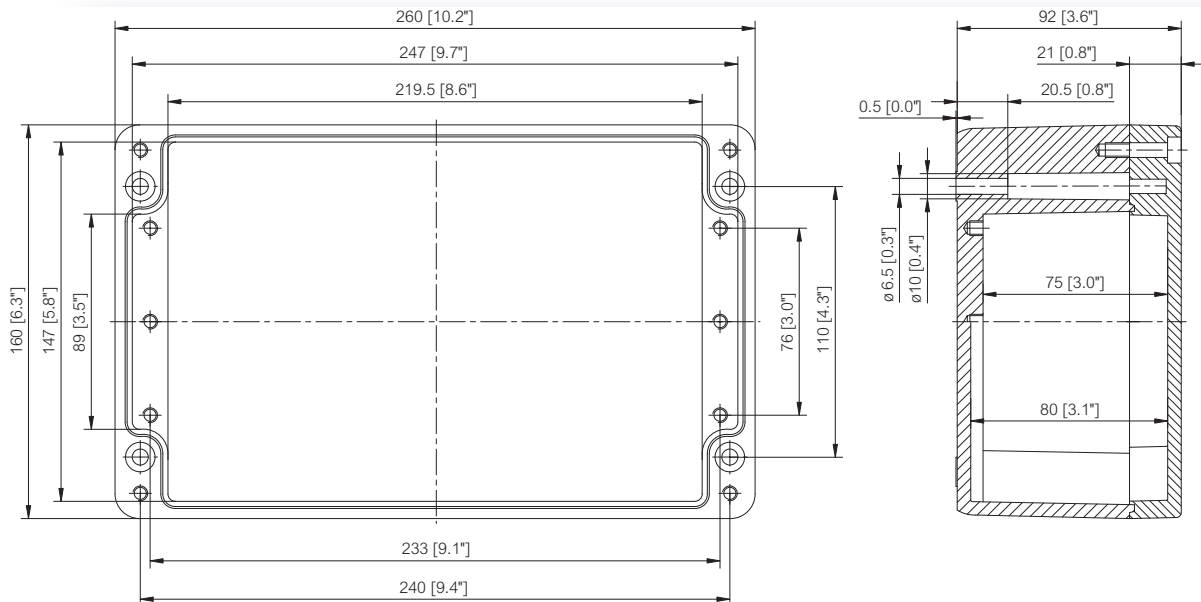
Including: Base, cover with EPDM gasket and stainless steel cover screws.

Enclosures

Order symbol	Dimensions inch	Dimensions mm	Description
P 162609	10.2 x 6.3 x 3.6	260 x 160 x 92	Fiberglass enclosure

Accessories

Order symbol	Dimensions inch	Dimensions mm	Description
PM 1626	5.7 x 9.6	146 x 244	Back Panel
ARH 26	1.4 x 9.4	35 x 240	DIN-35 Mounting rail
MRS 28541	0.6 x 2	15 x 50	Mounting foot kit (2 pcs) • incl. screws
PH A & AH A/B			Hinge kit • 1 pair includes screws





EURONORD P 1636

14.2 x 6.3

NEMA 1, 4, 4X, 12 and 13

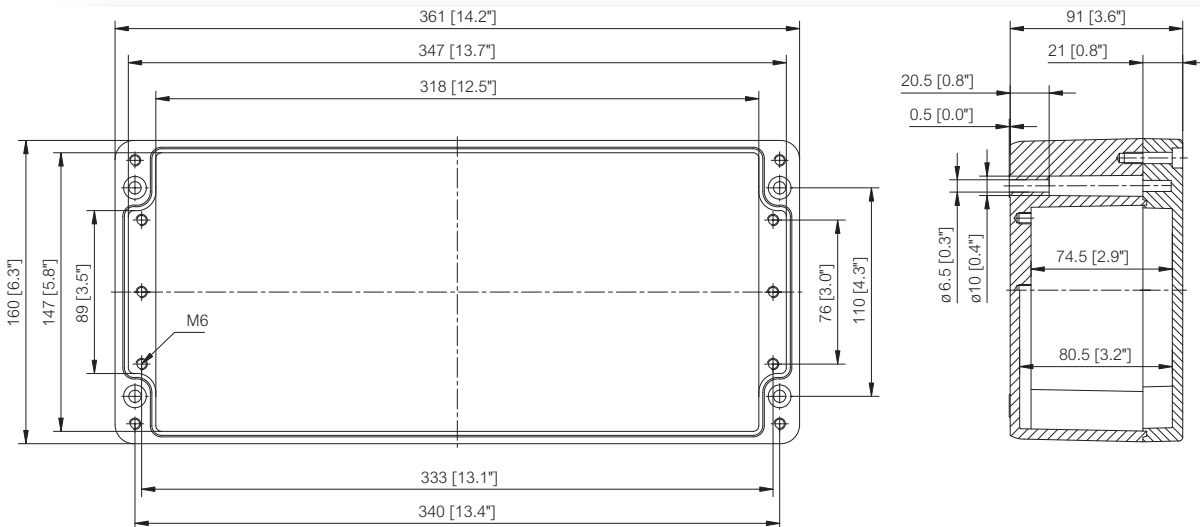
Including: Base, cover with EPDM gasket and stainless steel cover screws.

Enclosures

Order symbol	Dimensions inch	Dimensions mm	Description
P 163609	14.2 x 6.3 x 3.6	361 x 160 x 91	Fiberglass enclosure

Accessories

Order symbol	Dimensions inch	Dimensions mm	Description
AM 1236	4.2 x 13.7	107 x 347	Back Panel
AM 1636	5.7 x 13.6	146 x 346	Back Panel
ARH 36	1.4 x 13.5	35 x 343	DIN-35 Mounting rail
MRS 28541	0.6 x 2	15 x 50	Mounting foot kit (2 pcs) • incl. screws
PH A & AH A/B			Hinge kit • 1 pair includes screws



EURONORD P 2526

10.1 x 9.9

NEMA 1, 4, 4X, 12 and 13



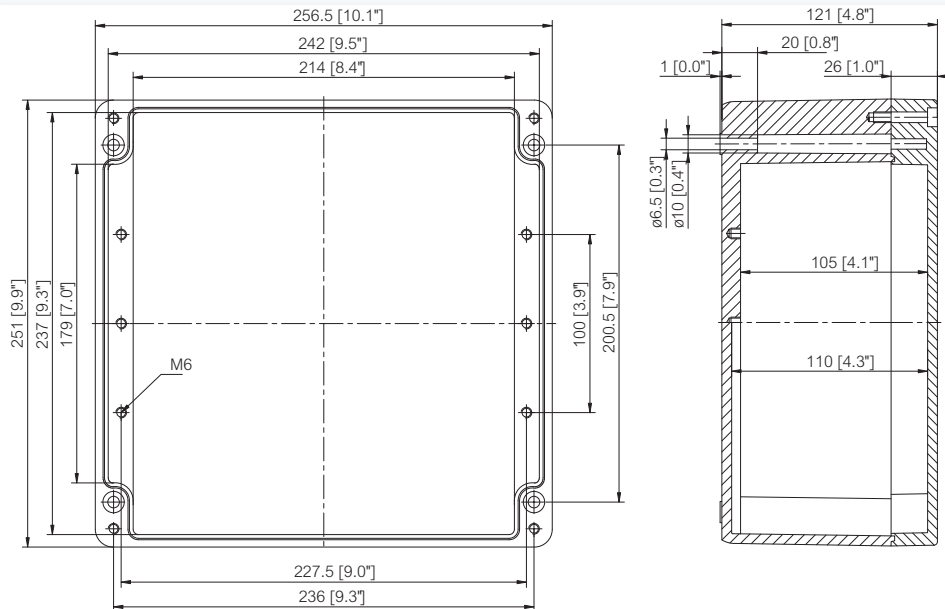
Including: Base, cover with EPDM gasket and stainless steel cover screws.

Enclosures

Order symbol	Dimensions inch	Dimensions mm	Description
P 252612	10.1 x 9.9 x 4.8	256 x 251 x 121	Fiberglass enclosure

Accessories

Order symbol	Dimensions inch	Dimensions mm	Description
PM 2526	9.1 x 9.4	231 x 240	Back Panel
PRH 2526	1.4 x 9.4	35 x 238	DIN-35 Mounting rail
MRS 28541	0.6 x 2	15 x 50	Mounting foot kit (2 pcs) • incl. screws
PH A & AH A/B			Hinge kit • 1 pair includes screws





EURONORD P 2540

15.8 x 9.8

NEMA 1, 4, 4X, 12 and 13

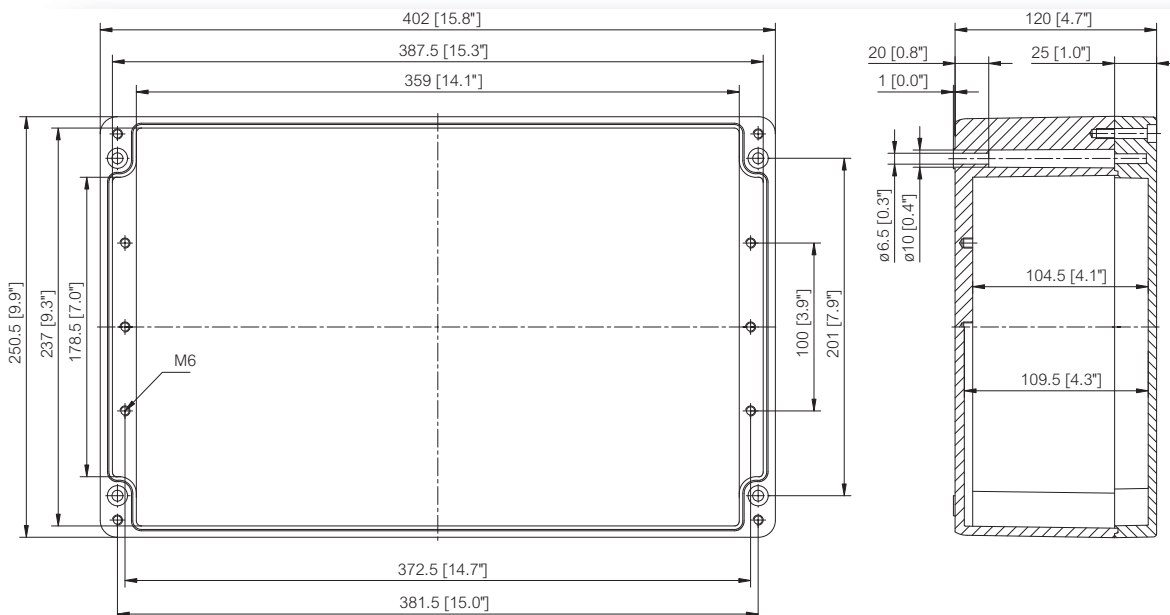
Including: Base, cover with EPDM gasket and stainless steel cover screws.

Enclosures

Order symbol	Dimensions inch	Dimensions mm	Description
P 254012	15.8 x 9.8 x 4.7	402 x 250 x 120	Fiberglass enclosure

Accessories

Order symbol	Dimensions inch	Dimensions mm	Description
PM 2540	9.1 x 15.1	231 x 383	Back Panel
AM 2340	8.5 x 15.2	215 x 385	Back Panel
ARH 40	1.4 x 15.1	35 x 383	DIN-35 Mounting rail
MRS 28541	0.6 x 2	15 x 50	Mounting foot kit (2 pcs) • incl. screws
PH A & AH A/B			Hinge kit • 1 pair includes screws



EURONORD P 4040

16.0 x 15.8

NEMA 1, 4, 4X, 12 and 13



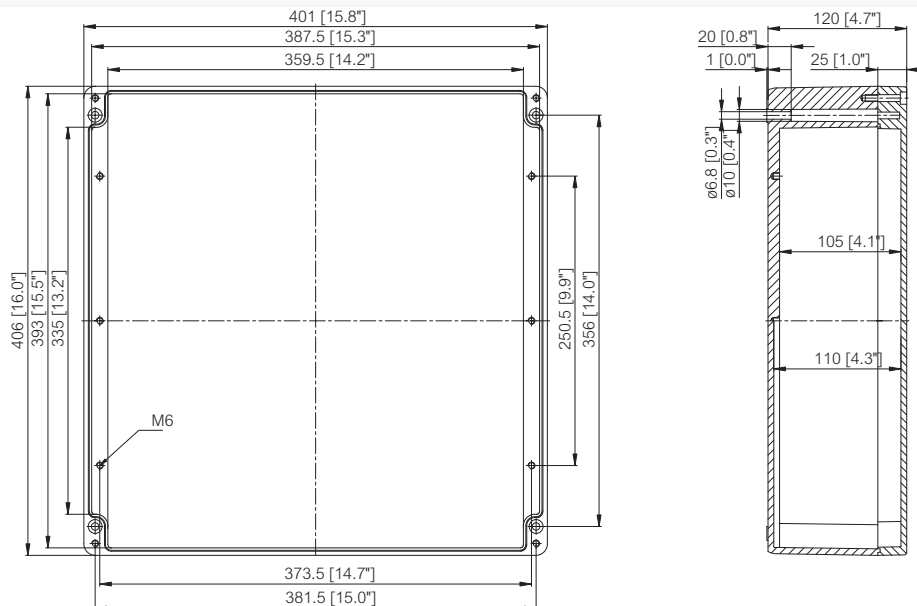
Including: Base, cover with EPDM gasket and stainless steel cover screws.

Enclosures

Order symbol	Dimensions inch	Dimensions mm	Description
P 404012	16 x 15.8 x 4.7	406 x 401 x 120	Fiberglass enclosure

Accessories

Order symbol	Dimensions inch	Dimensions mm	Description
PM 4040	15.4 x 15.2	390 x 385	Back Panel
ARH 40	1.4 x 15.1	35 x 383	DIN-35 Mounting rail
MRS 28541	0.6 x 2	15 x 50	Mounting foot kit (2 pcs) • incl. screws
PH A & AH A/B			Hinge kit • 1 pair includes screws



P ACCESSORIES

Order symbol Description

Back Panels (Galvanized steel, sheet thickness 1,5 mm)

PM 0808	2.5 x 2.7 inch ▪ 64 x 69 mm
PM 0811	2.5 x 3.9 inch ▪ 64 x 99 mm
PM 0816	2.5 x 5.9 inch ▪ 64 x 149 mm
PM 0819	2.5 x 7 inch ▪ 64 x 179 mm
AM 1212	4.2 x 4.3 inch ▪ 107 x 110 mm
AM 1222	4.2 x 8.1 inch ▪ 107 x 207 mm
PM 1616	5.7 x 5.7 inch ▪ 146 x 146 mm
PM 1626	5.7 x 9.6 inch ▪ 146 x 244 mm
AM 1636	5.7 x 13.6 inch ▪ 146 x 346 mm
PM 2526	9.1 x 9.4 inch ▪ 231 x 240 mm
PM 2540	9.1 x 15.1 inch ▪ 231 x 383 mm
PM 4040	15.4 x 15.2 inch ▪ 390 x 385 mm



DIN-35 Mounting rails (Galvanized steel, rail height 7,5 mm)

ARH 12	1.4 x 4.1 inch ▪ 35 x 105 mm
ARH 16	1.4 x 5.5 inch ▪ 35 x 140 mm
ARH 22	1.4 x 8 inch ▪ 35 x 203 mm
PRH 2526	1.4 x 9.4 inch ▪ 35 x 238 mm
ARH 26	1.4 x 9.4 inch ▪ 35 x 240 mm
ARH 36	1.4 x 13.5 inch ▪ 35 x 343 mm
ARH 40	1.4 x 15.1 inch ▪ 35 x 383 mm



Hinges and wall mounting

PH A & AH A/B	Hinge kit ▪ 1 pair includes screws
MRS 28540	Mounting foot kit (2 pcs) ▪ incl. screws
MRS 28541	Mounting foot kit (2 pcs) ▪ incl. screws



EURONORD P technical information

Property	Polyester (GRP)
Ingress Protection (EN 60529)	IP 66/IP 67
Impact Resistance (EN 62262)	IK 08
Temperature Range Celsius	-50° . . . 120°C
(short term) Fahrenheit	-60 . . . 250°F
Temperature Range Celsius	-40° . . . 80°C
(continuous) Fahrenheit	-40° . . . 175°F
Electrical Insulation	Totally insulated ☐
Color	RAL 7001
Cover Screws	Stainless steel
Gasket	EPDM
Enclosure Flammability Rating	Complies with UL 508
Glow Wire Test (IEC 695-2-1)	960°C
Self-extinguishing (PC)	
Non-toxicity	Halogen Free
Chemical Resistance *	Good

Confirmity to standards

USA Enclosures for Electrical Equipment
NEMA 1, 4, 4X, 12 and 13

Canada Industrial Control Equipment
Enclosures for Electrical Equipment/cUL

Europe Empty enclosures for low-voltage switchgear and
controlgear assemblies EN 62208:2003 (50298:1998)

Europe Safety of Information Technology Equipment
EN 60950
RoHS directive 2002/95/EC

Data subject to change without notice.

*Consult separate raw material data for more detailed information