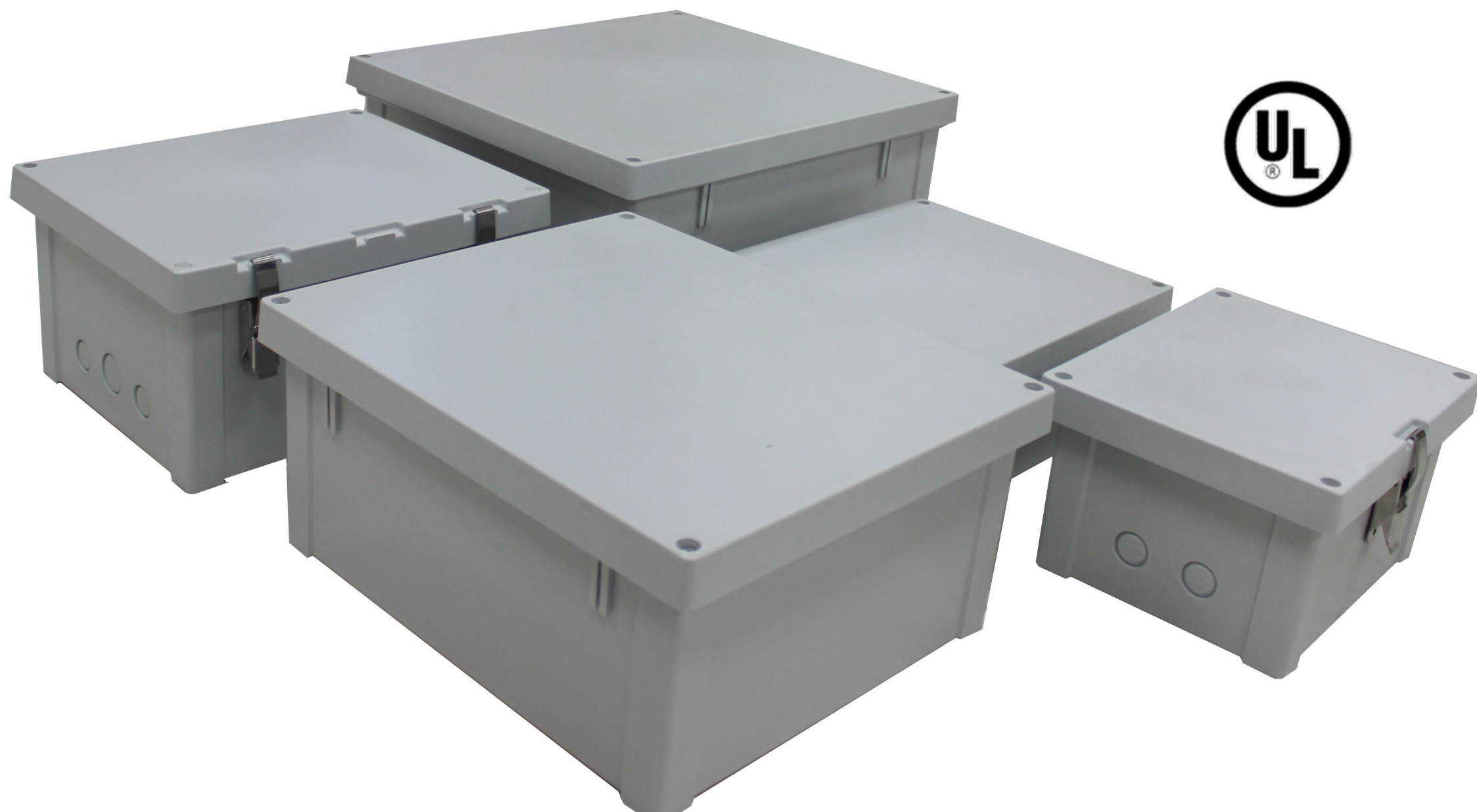


Get more real estate out of your Fibox Enclosure



Flat Cover Design, More Real Estate, More Options.

Fibox has done it again! The world famous ARCA non-metallic enclosures are now available with a flat cover design.

This 21st Century update to an industry standard is not your same old same old legacy box. This revolutionary design gives you more real estate on the cover than our raised cover without sacrificing the robust, sleek design and strength you expect from Fibox Enclosures.

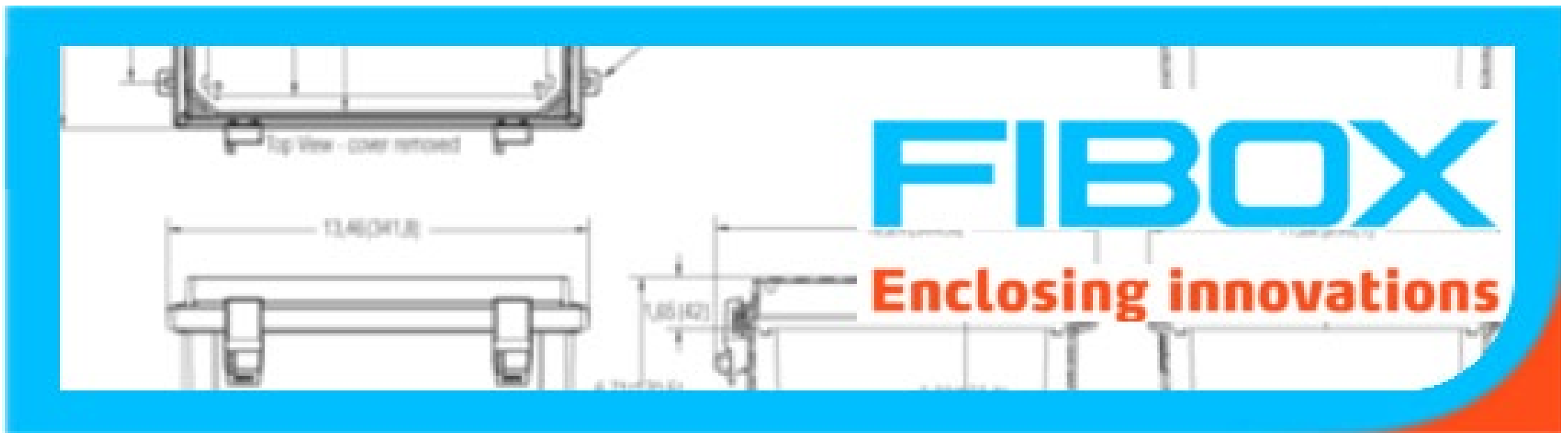
The flat cover ARCA covers are now available in RAL 7035 opaque gray in following sizes

SIZE	Cover Type Order Number			Cover Option
	Screw Cover	Hinged Screw Cover	Hinged Latched Cover	
8x6x4	AR864FSC	AR864CHFSC	AR864CHFSSL	Opaque Gray
10x8x3	AR1084FSC	AR1084CHFSC	AR1084CHFSSL	Opaque Gray
10x8x5	AR1085FSC	AR1085CHFSC	AR1085CHFSSL	Opaque Gray
12x10x5	AR12105FSC	AR12105CHFSC	AR12105CHFSSL	Opaque Gray
14x12x6	AR14126FSC	AR14126CHFSC	AR14126CHFSSL	Opaque Gray

Fibox Enclosures
WWW.Fiboxusa.com

Tel: (888) 342-6987
Fax: (410) 760-8686

FIBOX
Enclosing innovations



Fibox offers a full range of enclosure customization services based upon years of experience helping our customers. Our expertise will provide cost effective solutions for your most complex packaging requirements.

All Fibox enclosures can be customized to meet your requirements. Sophisticated CNC machinery can fabricate enclosures with holes, cutouts, recesses, and more. Enclosures can be painted, nomenclature can be silk-screened, and accessories can be installed...resulting in delivery of a completed mechanical assembly.

At our Baltimore service center, Fibox maintains a customization facility, staffed with application engineers, CAD and CAM programmers, and equipped with modern CNC machinery specifically designed and built for precision machining. Many packaging solutions utilize Fibox accessories to improve the functionality of the enclosure system.

Fibox can also provide assembly services and install accessories delivering a "ready to use" enclosure right out of the box.

Fibox accessories includes a large number of items ranging from hinges and latches, cable glands and wiring accessories, to inspection windows and ventilators.

For the customer requiring modification of a Fibox standard enclosure, CAD drawing files are available for use with all major computer design programs.

Factory technical assistance is available to help the engineer create the most cost-effective method for enclosing your innovations.

Contact your local Fibox Enclosure representative to learn more.



Fibox Enclosures
Sales@Fiboxusa.com
Tel: (888) 342-6987
Fax: (410) 760-8686

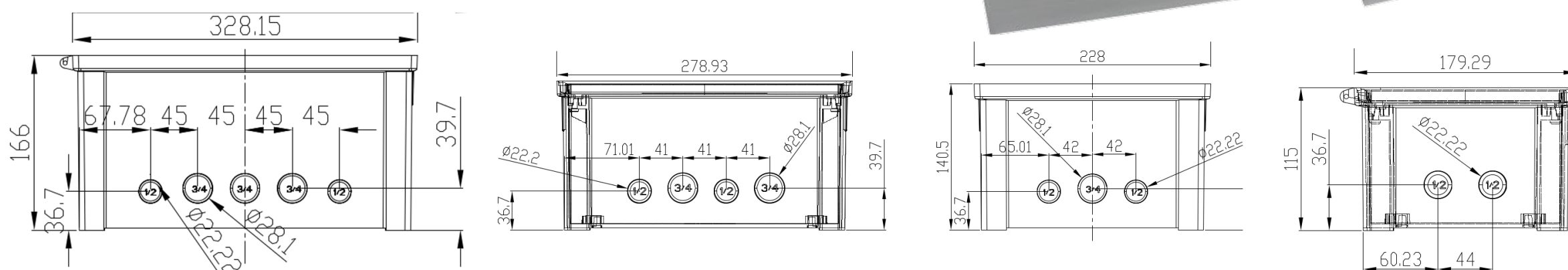


ARCA is a Knock Out

Fibox is excited to announce the latest expansion of the of ARCA series.

Select ARCA Enclosures are now available with pre-formed knock outs! Fibox has the industries only NEMA 4X non-metallic enclosure with knock outs. Sized at 3/4 and 1/2 inches these pre-scored knock outs provide easy modification in the field or factory floor while still retaining its' high impact-resistance and durability

Call your customer service representative for pricing today.



Enclosure size LxWxD	Knock out Configuration:	Cover Type Order Number			Cover Options
		Screw Cover	Hinged Screw Cover	Hinged Latched Cover	
8x6x5	1/2" 1/2"	ARK865SC	ARK 865CHSC	ARK 865CHSSL	Gray Opaque or Clear
10x8x6	1/2" 3/4" 1/2"	ARK1086SC	ARK 1086CHSC	ARK 1086CHSSL	Gray Opaque or Clear
12x10x6	1/2" 3/4" 1/2" 3/4"	ARK12106SC	ARK12106CHSC	ARK12106CHSSL	Gray Opaque or Clear
14x12x7	1/2" 3/4" 3/4" 3/4" 1/2"	ARK14127SC	ARK1412CHSC	ARK14127CHSSL	Gray Opaque or Clear

Fibox Enclosures
WWW.Fiboxusa.com

Tel: (888) 342-6987
Fax: (410) 760-8686

FIBOX
 Enclosing innovations

Now Available for Shipping

Fibox is excited to announce the expanded range of ARCA Series enclosure sizes are now available! These larger enclosures are ready to take on the harshest environments out there. Rugged, UV protected, impact resistant polycarbonate NEMA 4X enclosures are now available to ship! Sized at 20x16x8, 24x20x8 and 24x24x10 JIC and NEMA panels available.

Call you customer service representative for pricing today.



Catalog Number	Enclosure Size A x B x C	Enclosure Size Metric	Cover and Hinge Options
AR20168CHSS	20 x 16 x 8	(508 x 406 x 203)	Hinged Opaque Cover w/S.S. Quick Release Latch
AR20168CHSSL	20 x 16 x 8	(508 x 406 x 203)	Hinged Opaque Cover w/S.S. Lockable Latch
AR20168CHTSS	20 x 16 x 8	(508 x 406 x 203)	Hinged Opaque Cover w/S.S. Lockable Twist Latch
AR24208CHSS	24 x 20 x 8	(609 x 508 x 203)	Hinged Opaque Cover w/S.S. Quick Release Latch
AR24208CHSSL	24 x 20 x 8	(609 x 508 x 203)	Hinged Opaque Cover w/S.S. Lockable Latch
AR24208CHTSS	24 x 20 x 8	(609 x 508 x 203)	Hinged Opaque Cover w/S.S. Lockable Twist Latch
AR242410CHSS	24 x 24 x 10	(609 x 609 x 254)	Hinged Opaque Cover w/S.S. Quick Release Latch
AR242410CHSSL	24 x 24 x 10	(609 x 609 x 254)	Hinged Opaque Cover w/S.S. Lockable Latch
AR242410CHTSS	24 x 24 x 10	(609 x 609 x 254)	Hinged Opaque Cover w/S.S. Lockable Twist Latch
Catalog Number	Panel Size	Mounting Holes	Material
JIC			
ABP2016	18.9 x 14.9	18.03 x 14.33	White Painted Steel
ABP2420	22.9 x 18.9	21.97 x 17.95	White Painted Steel
ABP2424	23.0 x 23.0	22.0 x 22.0	White Painted Steel
NEMA			
ANBP2420	21.0 x 17.0	19.25 x 15.25	White Painted Steel
ANBP2424	21.0 x 21.0	19.25 x 19.25	White Painted Steel

Fibox Enclosures
WWW.Fiboxusa.com

Tel: (888) 342-6987
Fax: (410) 760-8686

FIBOX
Enclosing innovations